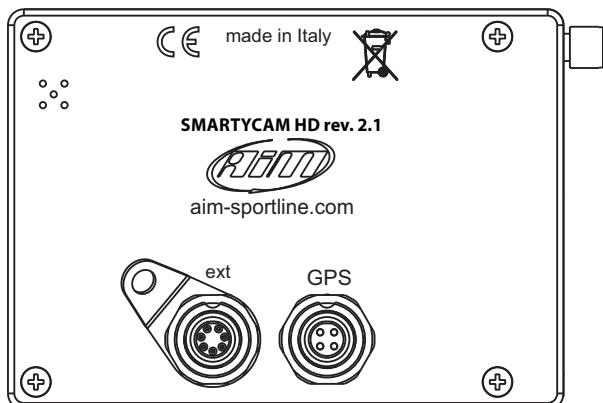
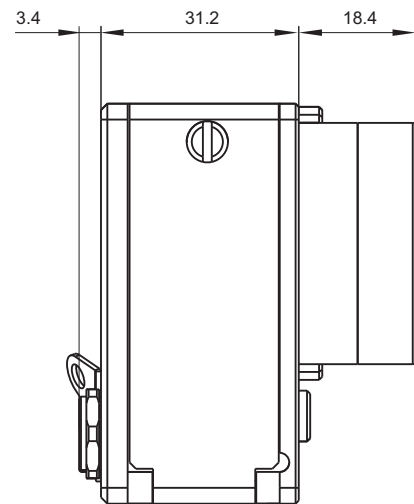
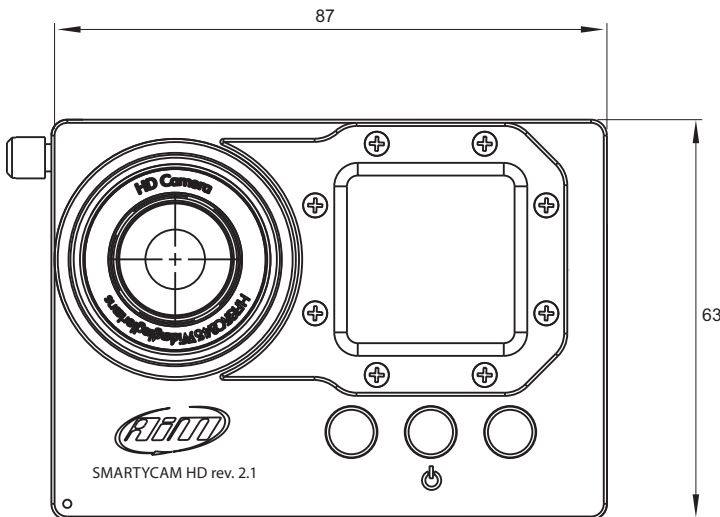




AiM SmartyCam HD Rev. 2.1

On-board camera





AiM SmartyCam HD Rev. 2.1

On-board camera

Technical characteristics

Video format	H.264 1280 x 720 pixels @ 30 fps
Display resolution	128 x 128 pixels
Lens	Telecentric with 6 elements
Field of view	67° or 84°
Internal battery	Rechargeable lithium battery 1.950 mAh
Battery charge	700 mAh 12V
Battery duration	120 - 150 min of recording
External power	9-15 Volt
Supported SD card	Up to 128 GB
Memory capability	1.5 GB (1 hour low quality recording) 2 GB (1 hour medium quality recording) 4 GB (1 hour high quality recording)
Accelerometer	Three-axial $\pm 5G$
Usage temperatures	-10°C/+60°C
Auto Power ON	Yes, if connected to an AiM logger
Auto Power OFF	Yes
Auto Start/Stop Recording	Yes
Dimensions	87 x 63 x 49 mm
Weight	280 g, battery included
Waterproof	IP67



AiM SmartyCam HD Rev. 2.1

On-board camera

In the box

SmartyCam HD with 67° or 84° lens, CAN cable or external power cable, USB/AC power adapter, Battery charger, 4 Gb HC10 SD Card, CD for software installation, User manual

Available versions

With 67° lens

X98SHD00206721	SmartyCam HD with 2 mt CAN Bus + 67° lens
X98SHD02EM6721	SmartyCam HD with 2 mt CAN Bus + 67° lens + Integrated external microphone harness
X98SHD02J6721	SmartyCam HD with 2 mt CAN Bus + 67° lens + Integrated 3.5 female Jack for external microphone harness
X98SHD00406721	SmartyCam HD with 4 mt CAN Bus + 67° lens
X98SHD04EM6721	SmartyCam HD with 4 mt CAN Bus + 67° lens + Integrated external microphone harness
X98SHD04J6721	SmartyCam HD with 4 mt CAN Bus + 67° lens + Integrated 3.5 female Jack for external microphone harness
X98SHD00106721	SmartyCam HD with 2 mt external power cable + 67° lens
X98SHD1EM26721	SmartyCam HD with 2 mt external power cable + 67° lens + Integrated external microphone harness
X98SHD1J26721	SmartyCam HD with 2 mt external power cable + 67° lens + Integrated 3.5 female Jack for external microphone harness
X98SHD1EM46721	SmartyCam HD with 4 mt external power cable + 67° lens + Integrated external microphone harness
X98SHD1J46721	SmartyCam HD with 4 mt external power cable + 67° lens + Integrated 3.5 female Jack for external microphone harness

With 84° lens

X98SHD00208421	SmartyCam HD with 2 mt CAN Bus + 84° lens
X98SHD02EM8421	SmartyCam HD with 2 mt CAN Bus + 84° lens + Integrated external microphone harness
X98SHD02J8421	SmartyCam HD with 2 mt CAN Bus + 84° lens + Integrated 3.5 female Jack for external microphone harness
X98SHD00408421	SmartyCam HD with 4 mt CAN Bus + 84° lens
X98SHD04EM8421	SmartyCam HD with 4 mt CAN Bus + 84° lens + Integrated external microphone harness
X98SHD04J8421	SmartyCam HD with 4 mt CAN Bus + 84° lens + Integrated 3.5 female Jack for external microphone harness
X98SHD00108421	SmartyCam HD with 2 mt external power cable + 84° lens
X98SHD1EM28421	SmartyCam HD with 2 mt external power cable + 84° lens + Integrated external microphone harness
X98SHD1J28421	SmartyCam HD with 2 mt external power cable + 84° lens + Integrated 3.5 female Jack for external microphone harness



AiM SmartyCam HD Rev. 2.1

On-board camera

- X98SHD1EM48421** SmartyCam HD with 4 mt external power cable + 84° lens
+ Integrated external microphone harness
- X98SHD1J48421** SmartyCam HD with 4 mt external power cable + 84° lens
+ Integrated 3.5 female Jack for external microphone harness

Accessories

- X40GPS8SHD20** GPS08 Module for SmartyCam HD with 2 m length cable
- X40GPS8SHD40** GPS08 Module for SmartyCam HD with 4 m length cable
- X40GPS8SHD2R** GPS08 Module for SmartyCam HD Roof version with 2 m length cable
- X40GPS8SHD4R** GPS08 Module for SmartyCam HD Roof version with 4 m length cable
- X90KSSMC1** **Suction cup kit**
In the box: suction cup, 60 mm arm, ball head, washer
- X90KSSMC0** **Kit for 1 to 2.1 inches Ø bar**
In the box: Handlebar bracket, 60 mm arm, ball head, washer
- X90KSTP00** **Kit for 0.5 to 1.2 inches Ø bar**
In the box: U-bolt, 60 mm arm, ball head, washer
- X98KVOCHD0** **Glass replacement kit**
The kit includes the Schott B270 glass and his o-ring OR30X1, designed for long lasting resistance to any kind of stress
- X98KVDCHD0** **Display glass replacement kit**
Methacrylate anti-glare anti-scratch protection

Cable + external microphone:

- V02566080** 2 mt external power cable + Integrated external microphone harness
- V02566230** 4 mt external power cable + Integrated external microphone harness
- V02566310** 2 mt external power cable + Integrated 3.5 female Jack for external microphone harness
- V02566320** 4 mt external power cable + Integrated 3.5 female Jack for external microphone harness
- V02566100** 2 mt CAN Bus + Integrated external microphone harness
- V02566240** 4 mt CAN Bus + Integrated external microphone harness
- V02566290** 2 mt CAN Bus + Integrated 3.5 female Jack for external microphone harness
- V02566300** 4 mt CAN Bus + Integrated 3.5 female Jack for external microphone harness

Spare parts

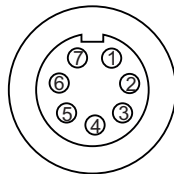
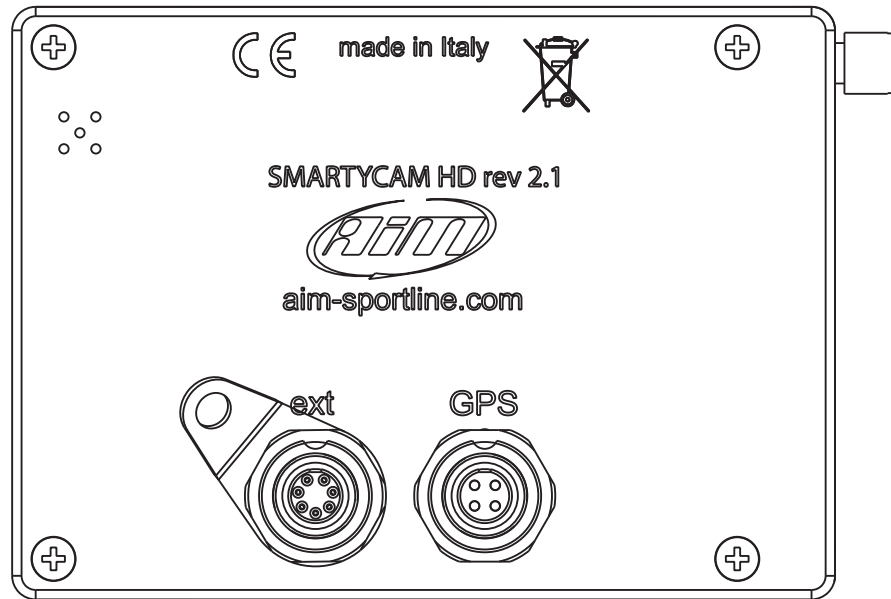
- X90TMPC002** USB cable
- V02566070** 2 mt CAN harness
- V02566060** 4 mt CAN harness
- V02566150** 2 mt external power harness



AiM SmartyCam HD Rev. 2.1

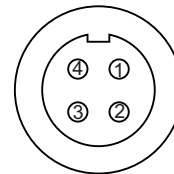
On-board camera

Pinout



7 pins Binder 712
female connector pinout
external view (Ext)

1 - CAN+
2 - GND
3 - +Vb
4 - CAN-
5 - +Vbext
6 - GND
7 - Mic+



4 pins Binder 712
female connector pinout
external view (GPS)

1 - CAN+
2 - GND
3 - +Vb
4 - CAN-