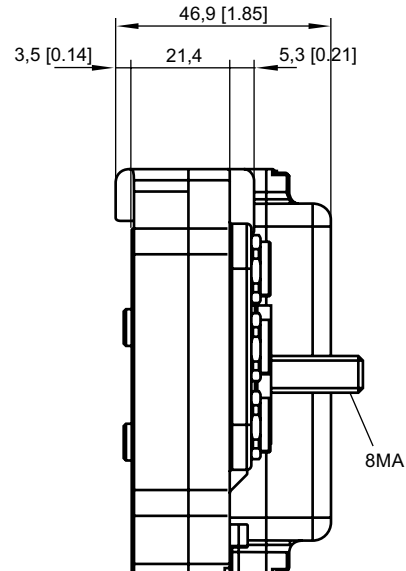
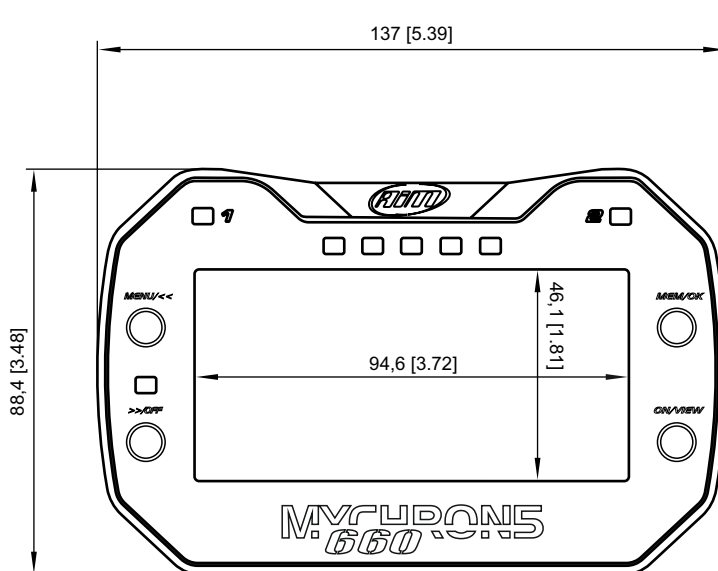
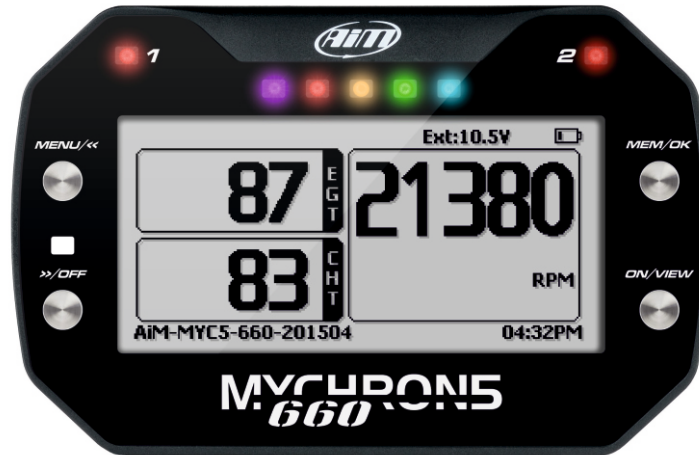


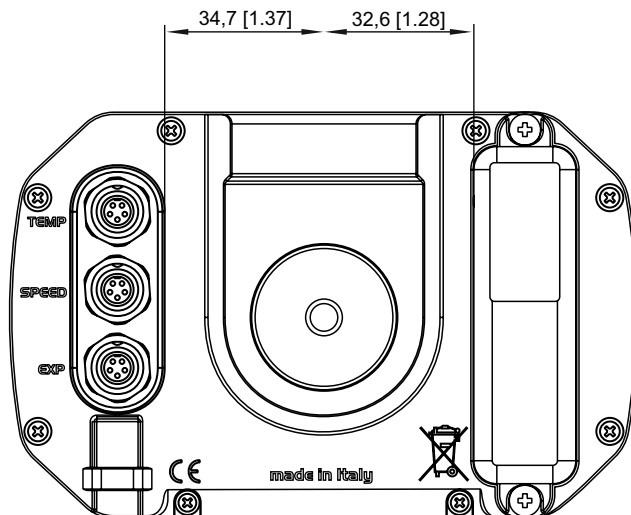


AiM MyChron5 660

Dash logger



Dimensions in mm [inches]





AiM MyChron5 660

Dash logger

Part number

X80M5DR6600U MyChron5 660

Technical specifications

GPS	Integrated
Inertial platform	Included
Wi-Fi connection	Included
Display resolution	268x128 pixel
Backlight	7 configurable RGB colors
Ambient light sensor	Included
Multifunction LEDs	5 RGB LEDs*
Alarm LEDs	2 configurable
RPM sampling frequency	50 Hz
Body	Glass fiber reinforced Nylon
Pushbuttons	Metal
Battery	Rechargeable Lithium
Memory	4 GB
Dimensions	137 x 88,4 x 47 mm
Weight, battery included	390 g
Waterproof	IP67

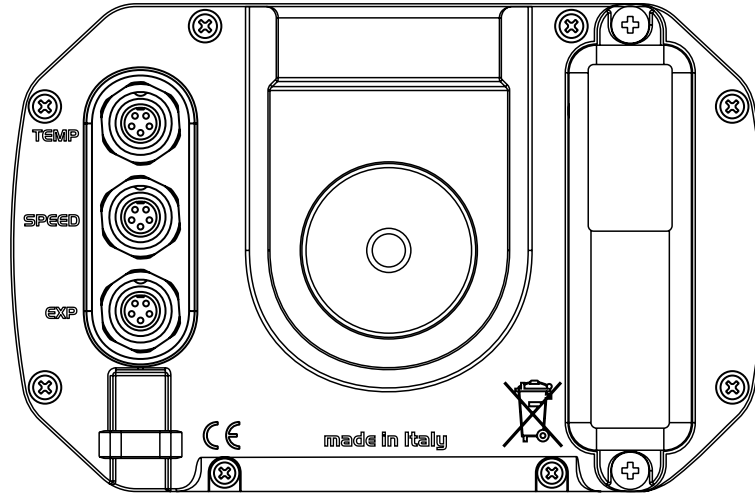
* Configurable as shift lights or RPM/laptimes alert


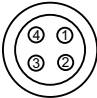
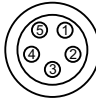


AiM MyChron5 660

Dash logger

Pinout



TEMP	SPEED	EXP
7 pins Binder 712 female connector (external view)	4 pins Binder 712 female connector (external view)	5 pins Binder 712 female connector (external view)
 1 - Thermocouple 1 2 - GND 3 - Thermocouple 2 4 - GND 5 - Thermo resistor 1 6 - GND 7 - Thermo resistor 2	 1 - Speed 2 - GND 3 - +Vbattery 4 - Reserved	 1 - CAN+ Exp 2 - GND 3 - +Vbout CAN 4 - CAN- Exp 5 - +Vbext CAN