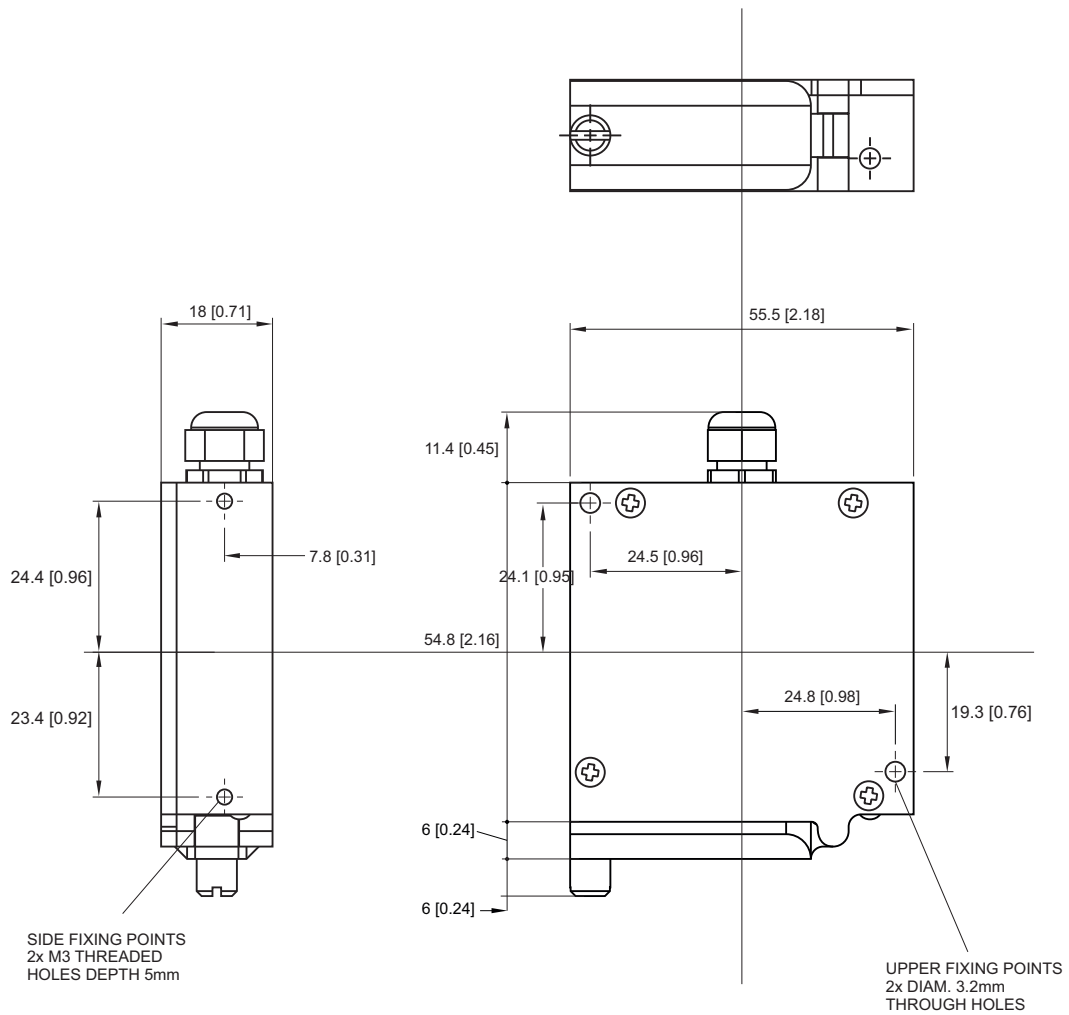




# Memory Module

## Expansion





# Memory Module

## Expansion

### Technical specifications

<b>Max power consumption</b>	50 mA
<b>Cable length</b>	40 cm
<b>SD Card</b>	4 GB (in the kit); it supports up to 32 GB
<b>Dimensions</b>	55.5 x 78.3 x 18 mm
<b>Weight</b>	103 g
<b>Waterproof</b>	IP65

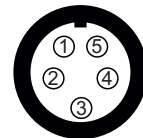
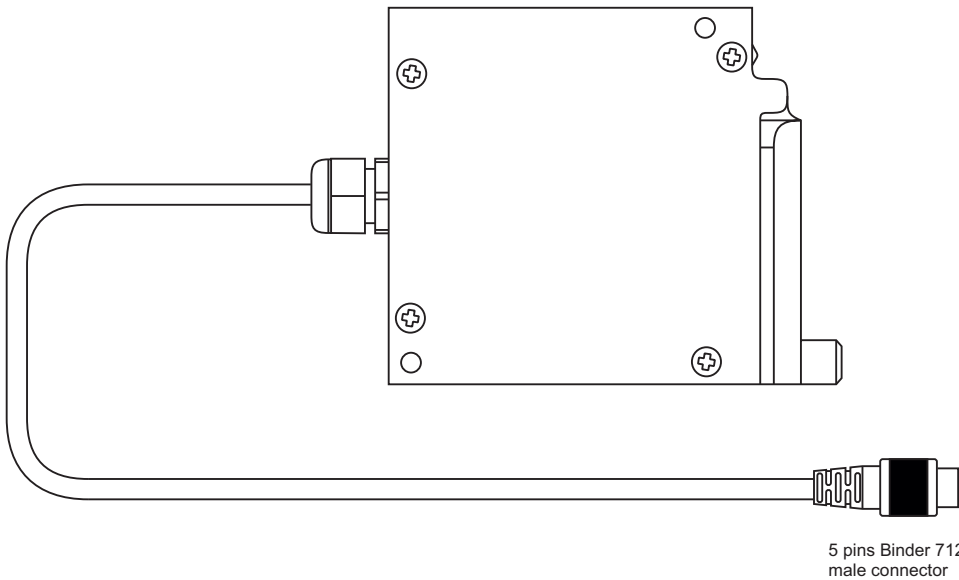
### Part number

**X08MMD040** Memory Module with integrated 40 cm cable

### In the box

Memory Module, 4GB SD card

### Pinout



5 pins Binder 712 male connector front view

- 1 - CAN High
- 2 - GND
- 3 - +Vb
- 4 - CAN Low
- 5 - nc