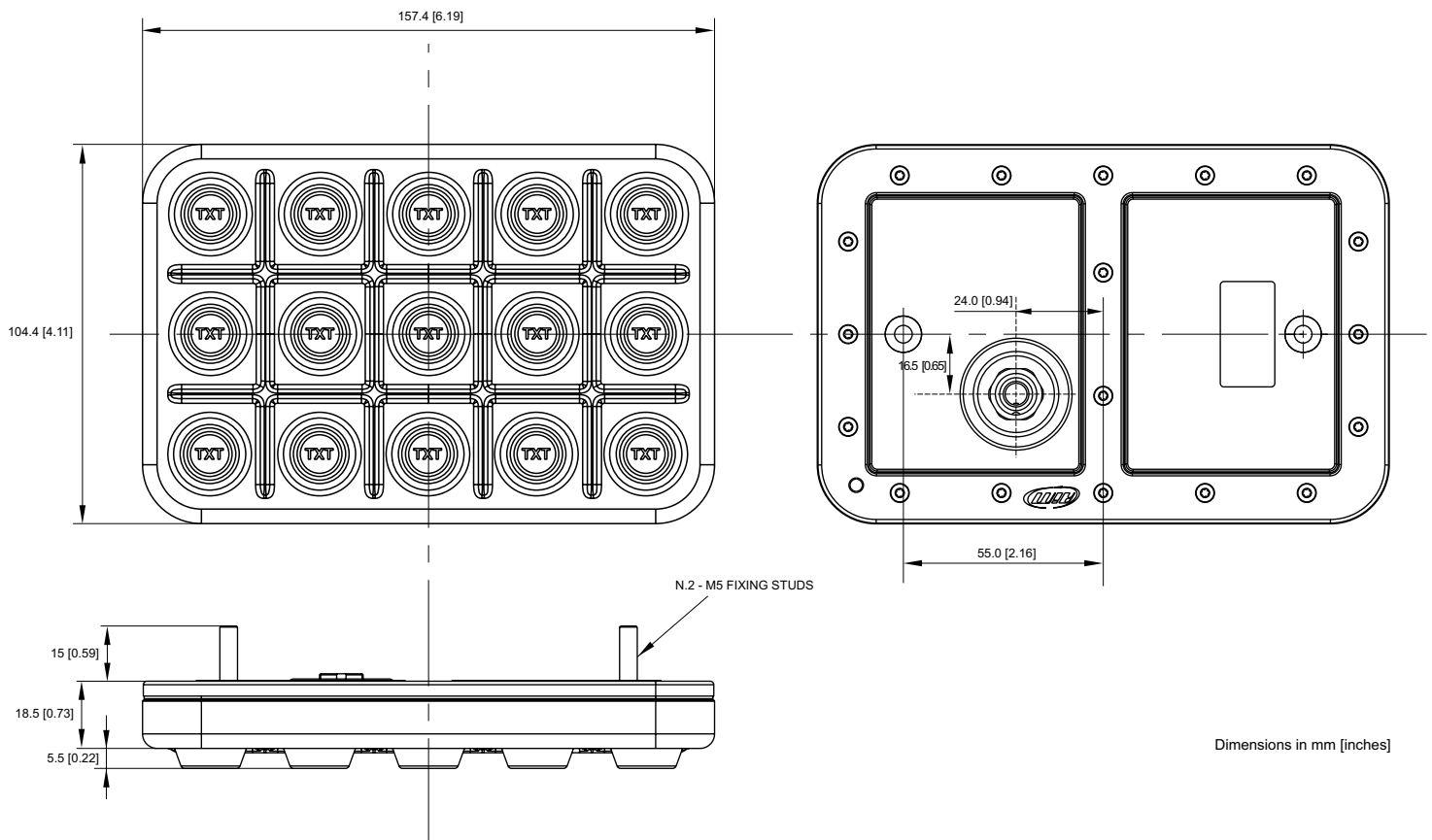




AiM K15 Open Keypad

CAN-BUS keypad Open version





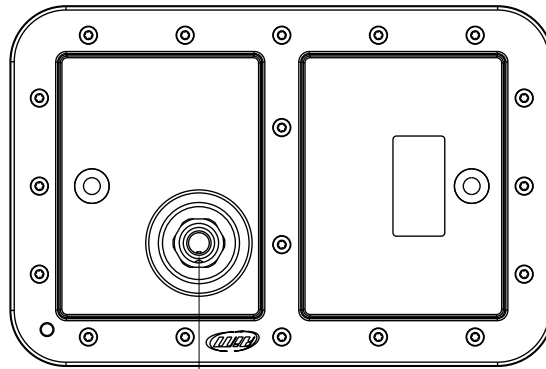
AiM K15 Open Keypad

CAN-BUS keypad Open version

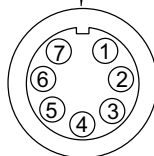
Technical specifications

Keys	15 programmable keys (momentary, toggle, multistatus)
Backlight buttons	RGB with dimming option
Connection	USB CAN Binder 7 pins
Voltage	9÷15 V
Material	Rubber silicon and PA6 GS30%
Dimensions	157.4 x 104.4 x 24 mm
Weight	250 g
Waterproof	IP67

Pinout



7 pins Binder 712 female connector (external view)



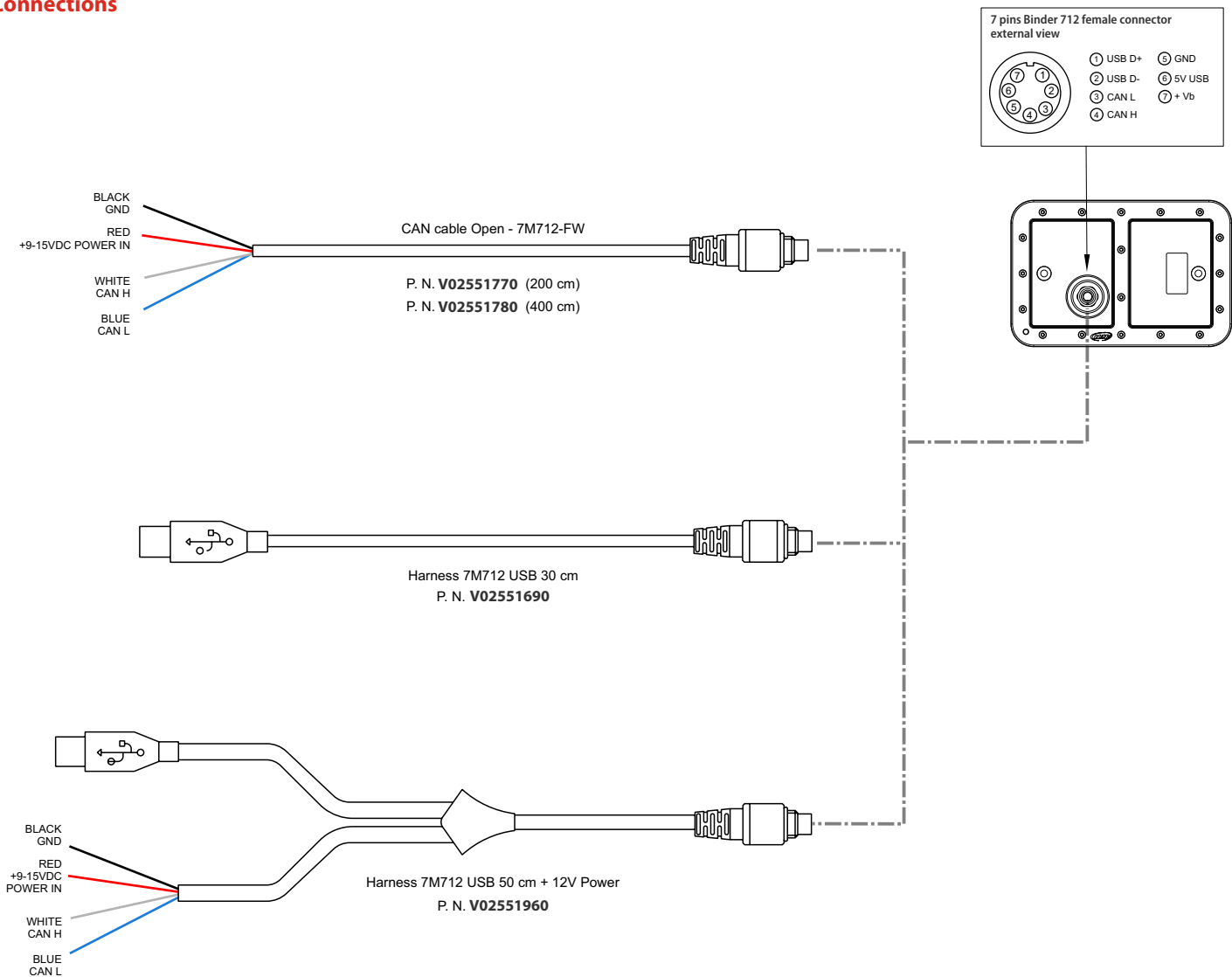
CAN BUS Cable	
1	USB D+
2	USB D-
3	CAN L
4	CAN H
5	GND
6	+5V USB
7	+Vb



AiM K15 Open Keypad

CAN-BUS keypad Open version

Connections



Part numbers

X08KPK150	Keypad K15 Open without cables
X08KPK150C200	Keypad K15 Open + CAN cable Open - 7M712-FW 200 cm
X08KPK150C400	Keypad K15 Open + CAN cable Open - 7M712-FW 400 cm
X08KPK8KICONS	Icons kit (72 pieces)
PART NUMBERS HERE	Single icons (chosen by the user)
V02551770	CAN cable Open - 7M712-FW 200 cm
V02551780	CAN cable Open - 7M712-FW 400 cm
V02551690	Harness 7M712 USB 30 cm
V02551960	Harness 7M712 USB 50 cm + 12V Power