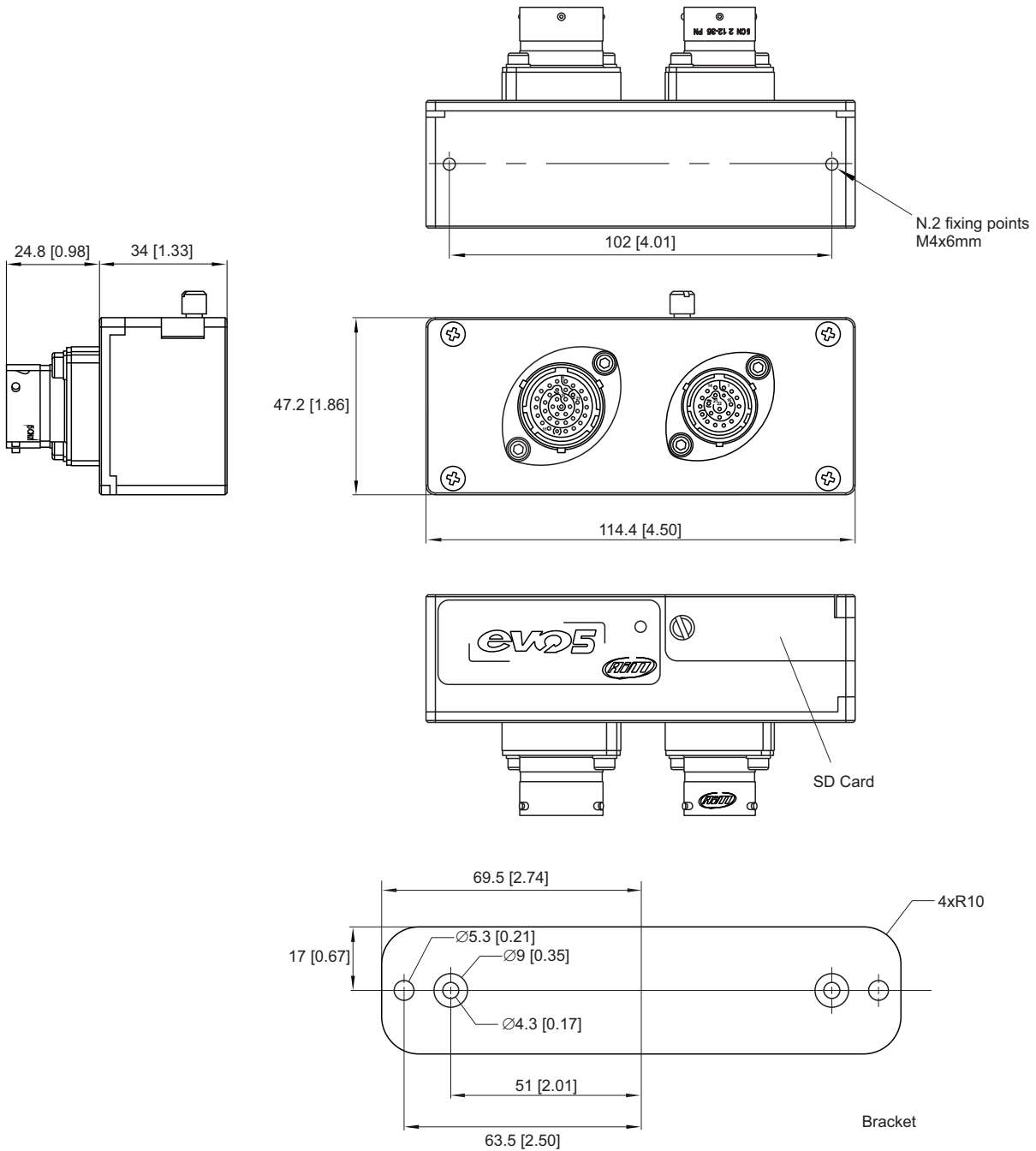




# AiM EVO5

Logger





# AiM EVO5

## Logger

### Technical specifications

<b>ECU connection</b>	CAN, RS232 or K-Line to 1,000+ industry leading ECUs
<b>External modules</b>	GPS module, Channel expansion, TC Hub, Lambda controller, SmartyCam HD
<b>Analog inputs</b>	8 fully configurable: 0-5V, 0-12V, K thermocouples. Max freq 1 KHz each
<b>Digital inputs</b>	Coil RPM and 4 speed inputs
<b>Inertial platform</b>	Internal 3 axis $\pm 5G$ accelerometer + 3 axis gyro
<b>Digital outputs</b>	2, up to 1 Amp each
<b>Second CAN</b>	Yes
<b>WiFi connection</b>	Yes
<b>Internal memory</b>	4 GB
<b>SD card</b>	Internal: up to 128 Gb
<b>Connectors</b>	2 Motorsport connectors
<b>Body</b>	Anodized Aluminum
<b>LEDs</b>	1 system status
<b>Dimensions</b>	114.4 x 47.2 x 58.8 mm
<b>Weight</b>	300 g
<b>Waterproof</b>	IP65

### In the box

EVO5, SD card, 37 pin harness, USB cable, GPS08 Module, bracket, Race Studio 3 software CD

<b>X62E5GPS130</b>	EVO5 with GPS08 Module with 1.30 m cable length
<b>X62E5GPS400</b>	EVO5 with GPS08 Module with 4 m cable length
<b>X62EGPS2RF</b>	EVO5 with GPS08 Module Roof version 2 m lenght cable
<b>X62EGPS4RF</b>	EVO5 with GPS08 Module Roof version 4 m lenght cable

### Accessories

<b>V02586030</b>	22 pin harness
<b>5CN822F00</b>	22 pins connector
<b>5CN837F00</b>	37 pins connector

### Spare parts

<b>V02586020</b>	37 pin harness
<b>X62KSTEVO5</b>	Bracket



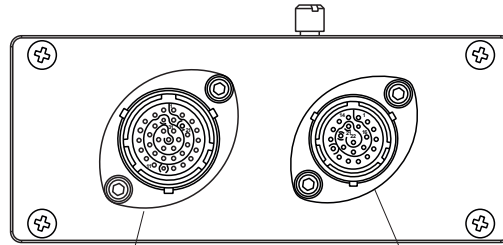
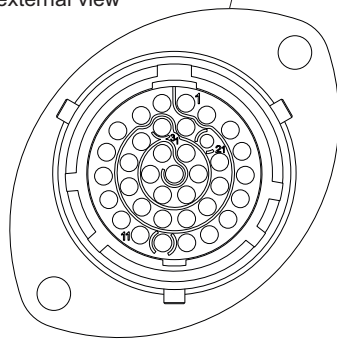
# AiM EVO5

## Logger

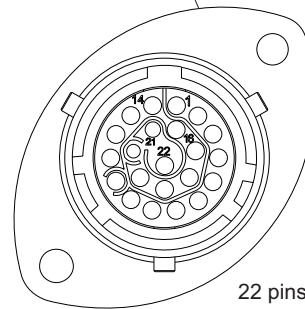
### Pinout

Pin	Function
1	9-15V Power input
2	Battery GND
3	CAN+Exp
4	GND
5	+Vbattery CAN
6	CAN- Exp.
7	+Vbext
8	CAN1+ ECU
9	CAN 1- ECU
10	GND
11	K Line ECU
12	USB D+
13	USB D-
14	GND
15	RPM
16	GND
17	+VBattery
18	Optical Lap
19	Speed1
20	GND
21	+Vbattery
22	Analog Input 1
23	Analog GND
24	+Vbattery
25	+Vreference
26	Analog Input2
27	Analog GND
28	+Vbattery
29	+Vreference
30	Analog Input3
31	Analog GND
32	+Vbattery
33	+Vreference
34	Analog Input4
35	Analog GND
36	+Vbattery
37	+Vreference

37 pins Deutsch male connector pinout external view



22 pins Deutsch male connector pinout external view



Pin	Function
1	Analog Input 5
2	Analog GND
3	+Vbattery
4	+Vreference
5	Analog Input 6
6	Analog Input 7
7	Analog GND
8	+Vbattery
9	+Vreference
10	Analog Input 8
11	Speed 2
12	GND
13	+Vbattery
14	Speed 3
15	Speed 4
16	GND
17	CAN2+ ECU
18	CAN2- ECU
19	Digital output 1
20	Digital output 2
21	RS232TX
22	RS232RX