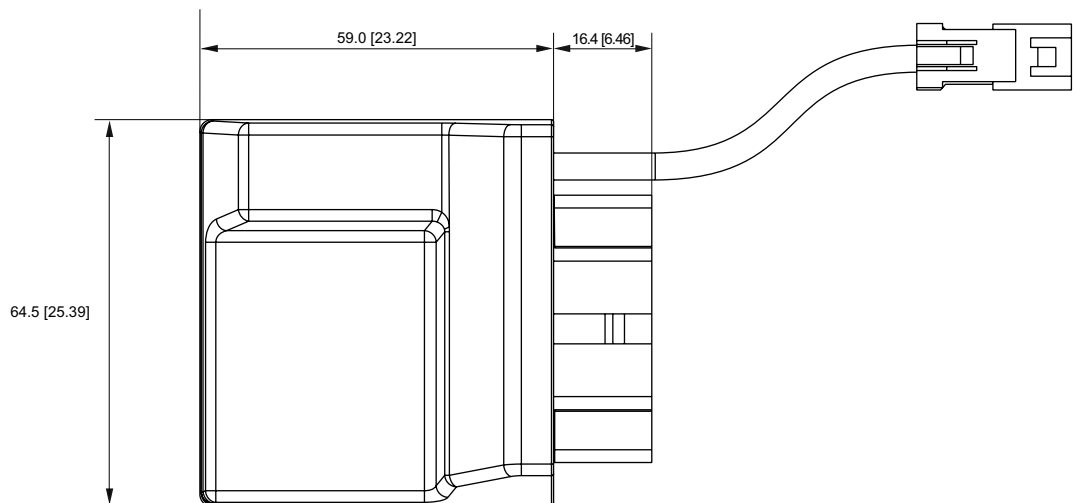
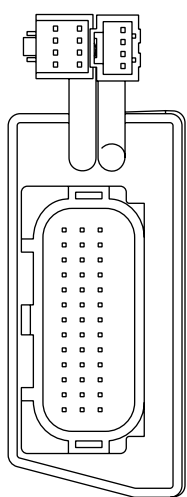
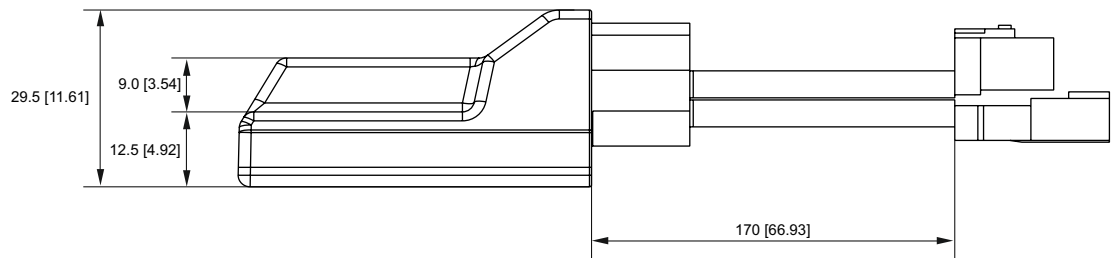




AiM ECU Taipan Y v2 & accessories

PLUG 'N PLAY ECU FOR MOTOCROSS






AiM ECU Taipan Y v2 & accessories

PLUG 'N PLAY ECU FOR MOTOCROSS

Technical specifications

Plug 'n play ECU for :

AiM ECU Taipan Y v2 Compatible models	Bikes				
	Brand	Type	Race	From Year	To Year
	YAMAHA	YZ 250 F	Cross	2024	
		YZ 450 F	Cross	2023	2024

Additional characteristics to the stock ECU:

- Two 0-5V analog inputs sampled @ 1,000 Hz each, could be alternatively used as switch to ground
- Second injector driver for high impedance saturated injectors (12Ω)
- One low side driver (1A)
- 1 CAN bus for calibration purposes
- 2 JST JWPF waterproof auxiliary connectors
- Power consumption 150 mA

- Connectors: n.1 JST 04T-JWPF-VSLE-S Connector
n.1 JST 08R-JWPF-VSLE-D Connector
n.1 39 pin male Connector
- Body: PA6 + 30% glass fiber
- Dimensions: 64.5x59x29.5 mm
- Waterproof: IP67
- Weight: 150 g approx



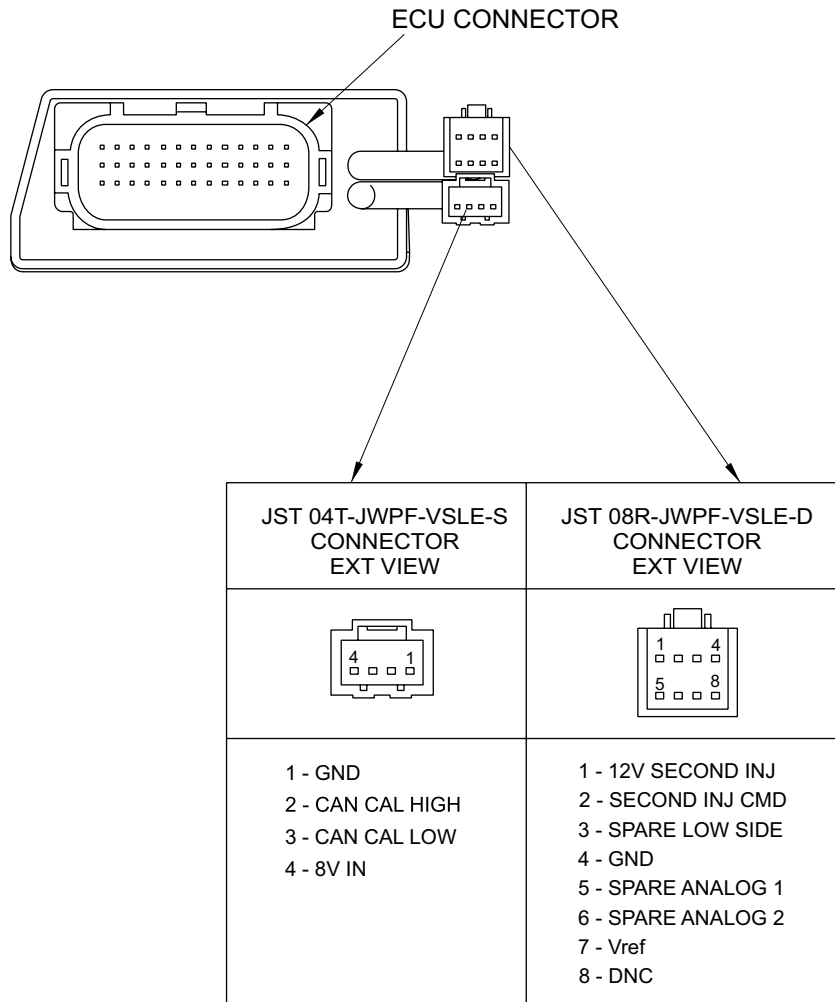
AiM ECU Taipan Y v2 & accessories

PLUG 'N PLAY ECU FOR MOTOCROSS

Part numbers (ECU Taipan Y v2 & accessories)

XE1ECUTYV2	ECU Taipan Y v2
V02596140	Power cable for AiM Handle Bar Switch and AiM data logger connection
XE1HBS000	Handle Bar Switch (cable V2596140 is necessary)
XE1UCB000	UC Bridge
XE1UCBT00	UC Bridge Tuner

Pinout

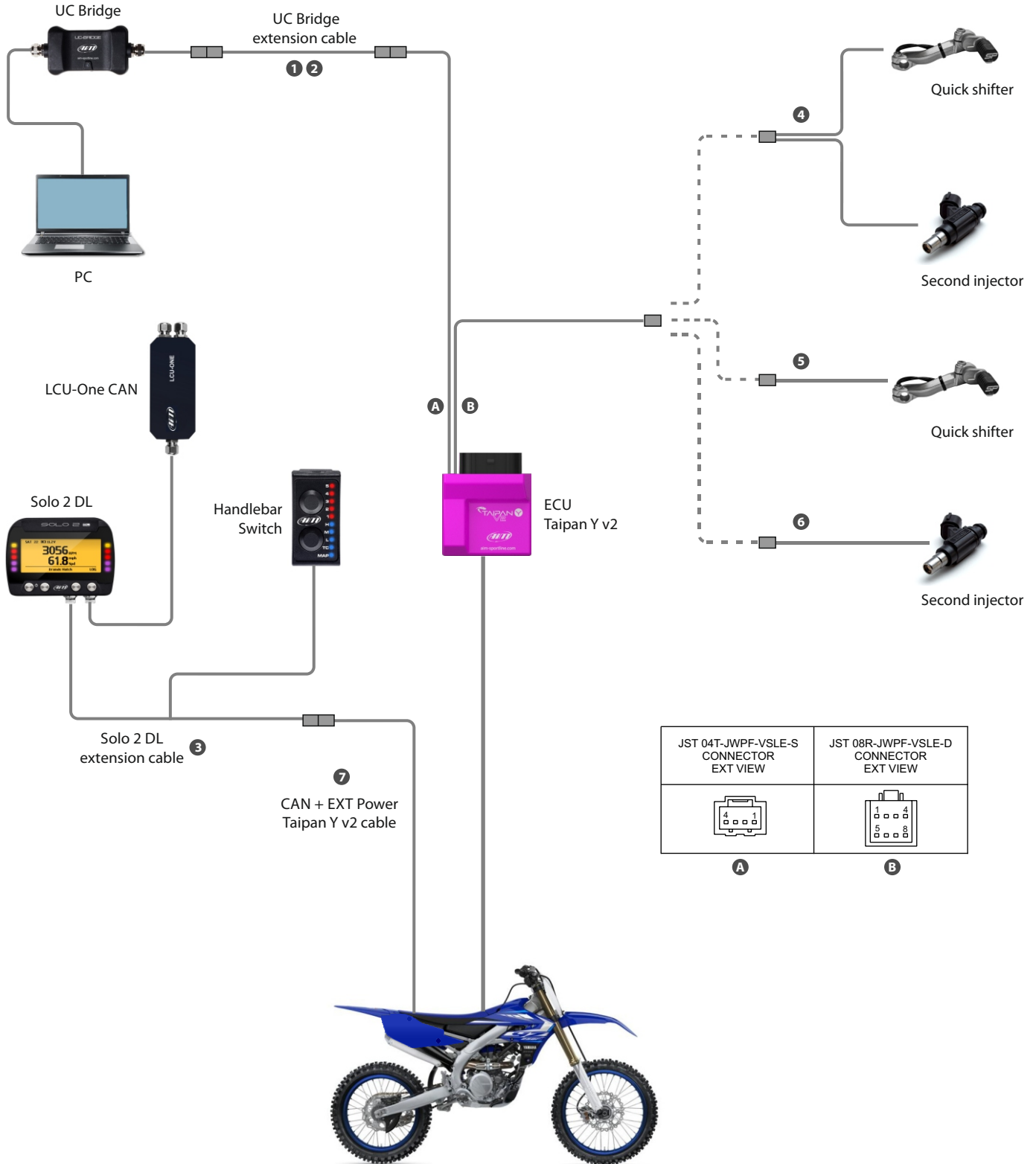




AiM ECU Taipan Y v2 & accessories

PLUG 'N PLAY ECU FOR MOTOCROSS

Functional diagram





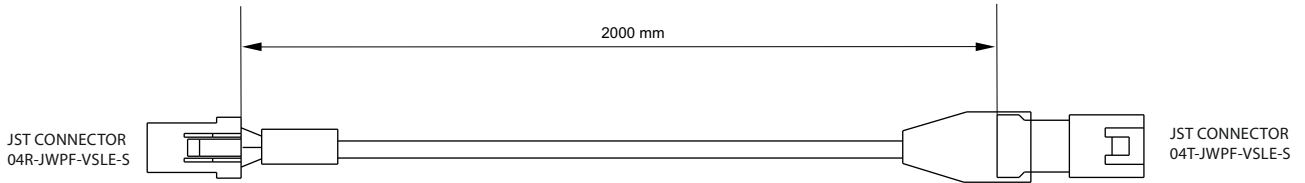
AiM ECU Taipan Y v2 & accessories

PLUG 'N PLAY ECU FOR MOTOCROSS

Optional cables

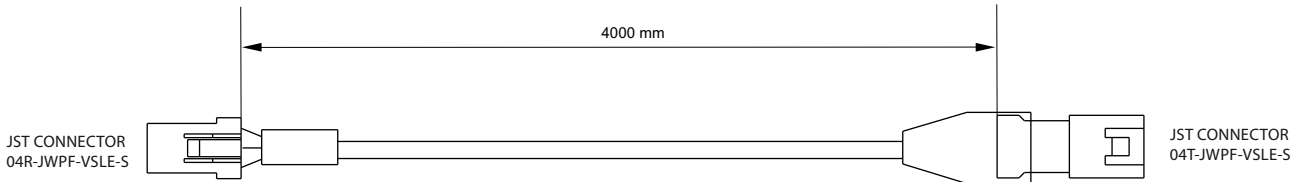
1 UC Bridge extension cable 2 m

Part number V02596020



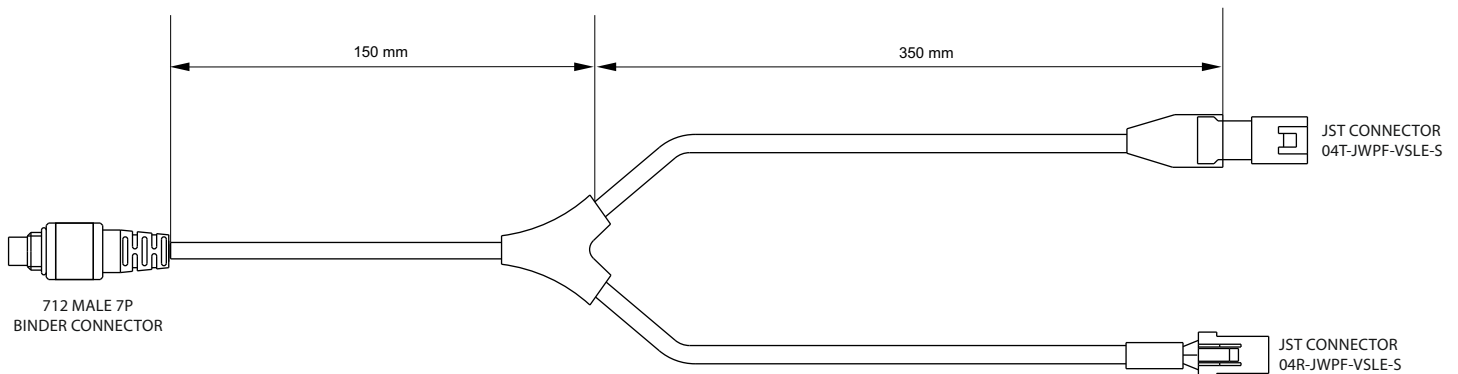
2 UC Bridge extension cable 4 m

Part number V02596030



3 Solo 2 DL extension cable 50 cm

Part number V02589120





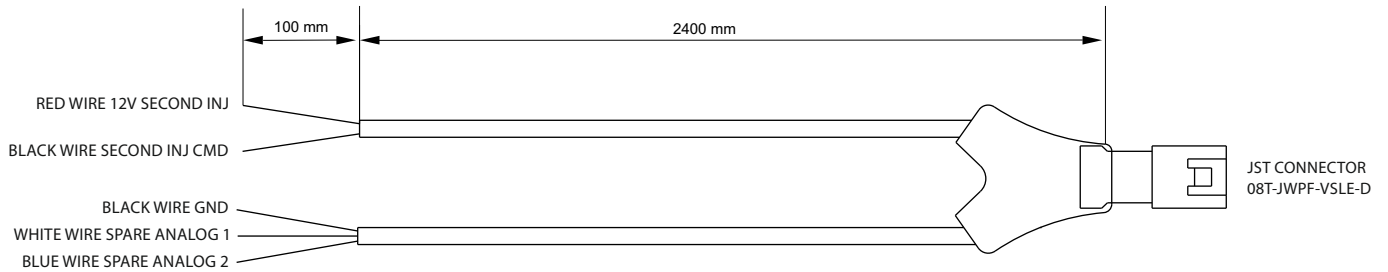
AiM ECU Taipan Y v2 & accessories

PLUG 'N PLAY ECU FOR MOTOCROSS

Optional cables

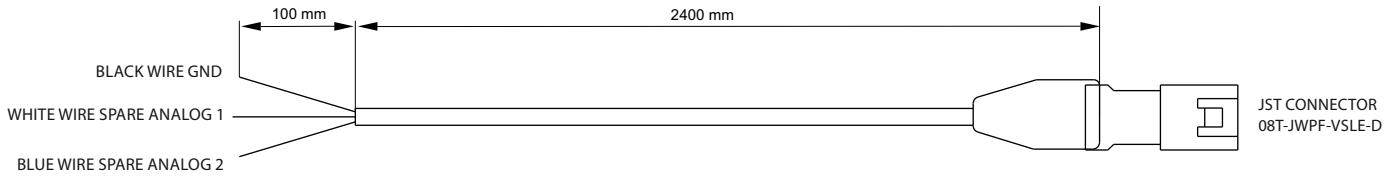
4 Analog channels and second injection harness

Part number V02596060



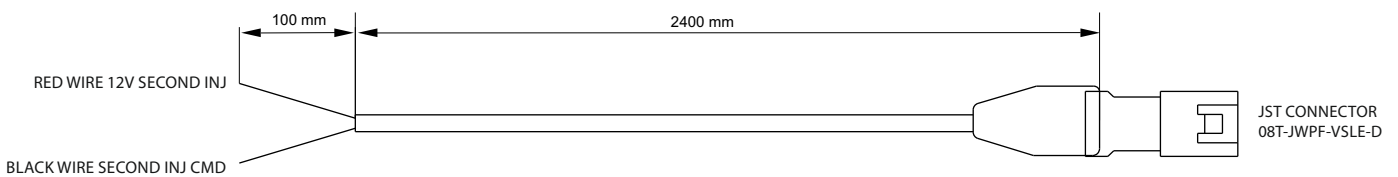
5 Analog channels harness

Part number V02596070



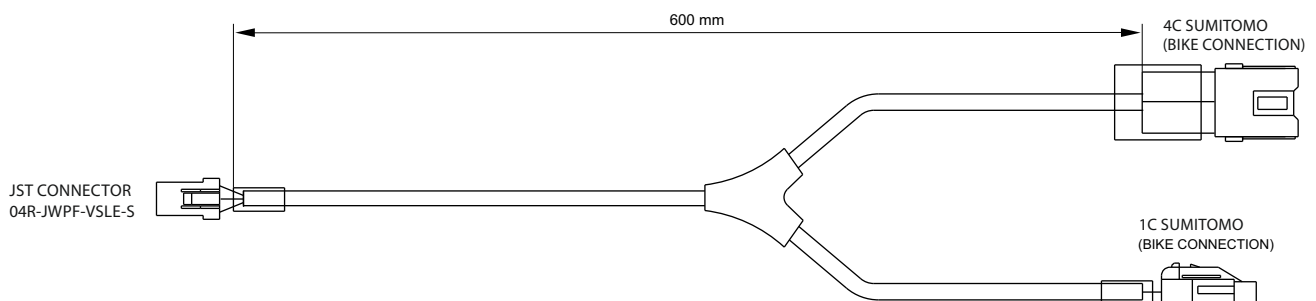
6 Second injection harness

Part number V02596080



7 CAN + EXT Power Taipan Y v2 cable

Part number V02596140



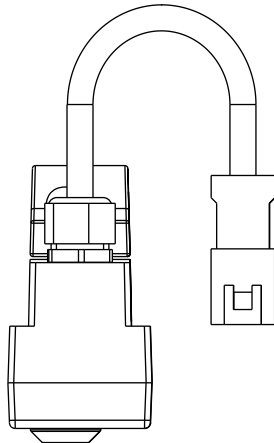
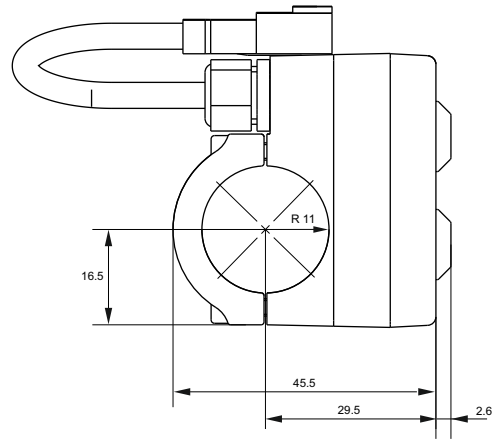
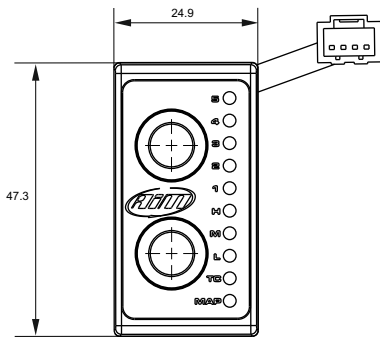


AiM ECU Taipan Y v2 & accessories

PLUG 'N PLAY ECU FOR MOTOCROSS

Accessories:

Handlebar Switch





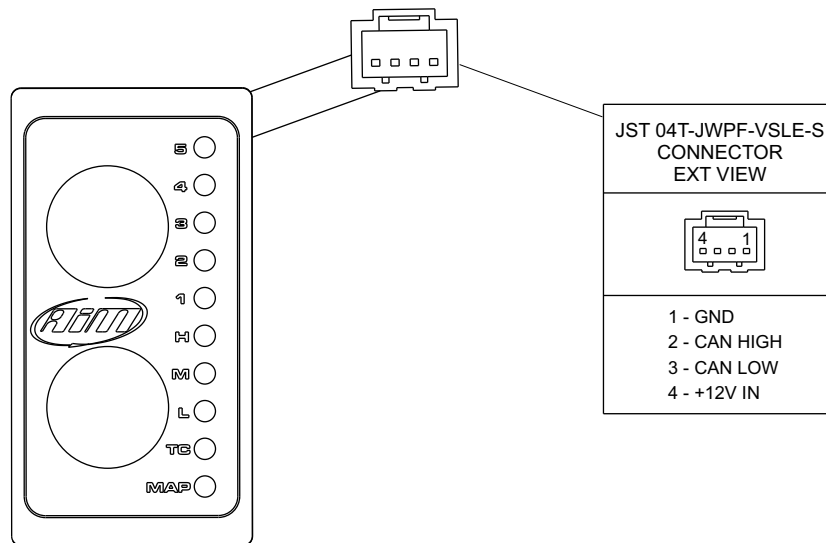
AiM ECU Taipan Y v2 & accessories

PLUG 'N PLAY ECU FOR MOTOCROSS

Accessories:

Handlebar Switch technical specifications and pinout

- JST waterproof connector for CAN Bus communication
- Connector: n.1 JST 04T-JWPF-VSLE-S Connector
- Body: PA6 + 30% glass fiber
- Dimensions: 47.3x24.9x48.1 mm
- Waterproof: IP67
- Weight: 70 g





AiM ECU Taipan Y v2 & accessories

PLUG 'N PLAY ECU FOR MOTOCROSS

Accessories:

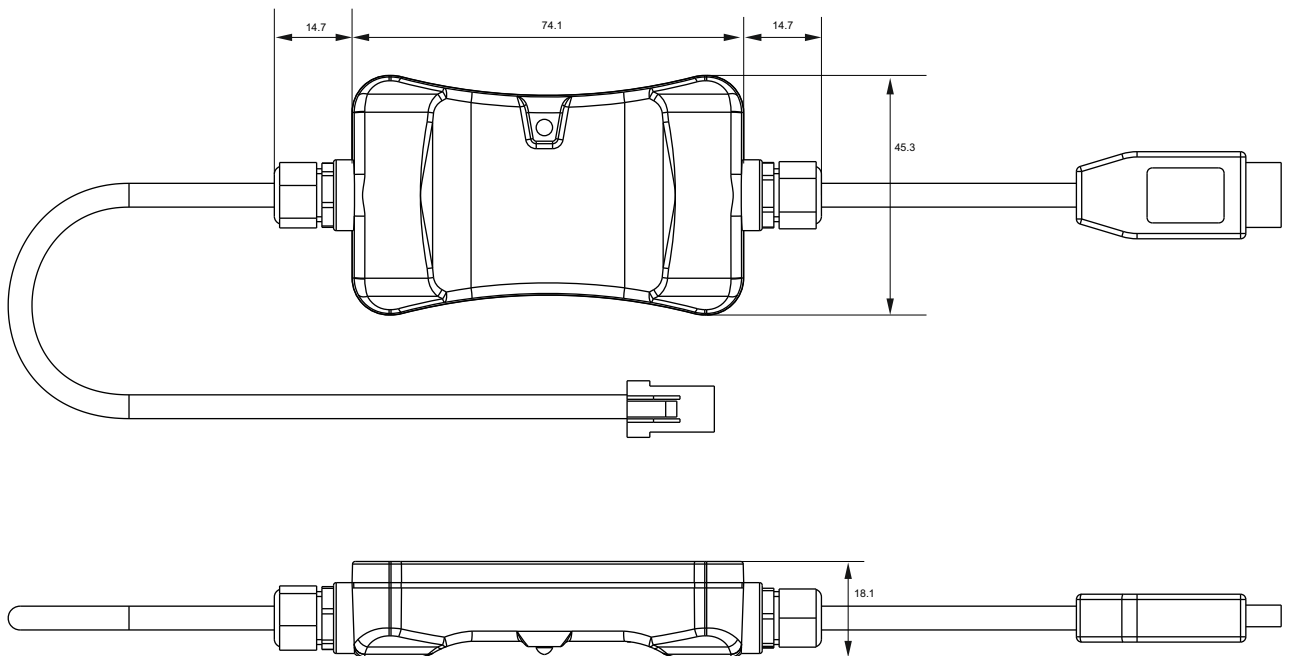
UC Bridge



User license



Tuner license





AiM ECU Taipan Y v2 & accessories

PLUG 'N PLAY ECU FOR MOTOCROSS

Accessories:

UC Bridge technical specifications and pinout

- Connectors: n.1 USB connection for PC
n.1 JST 04R-JWPF-VSLE-S waterproof Connector for CAN Bus communication
- Body: PA6 + 30% glass fiber
- Dimensions: 103.5x45.3x18.1 mm
- Waterproof: IP65
- Weight: 80 g

