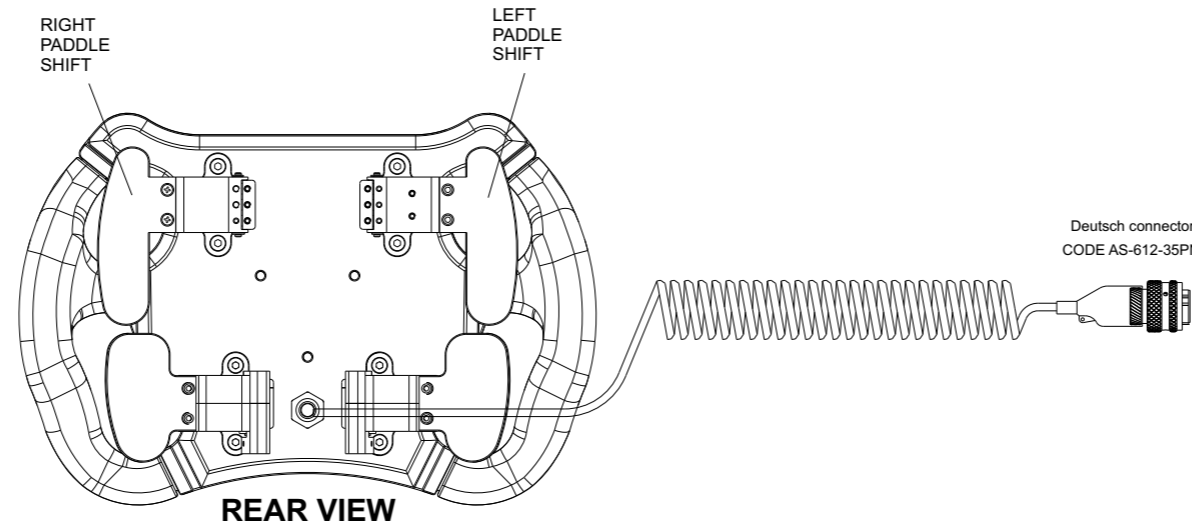
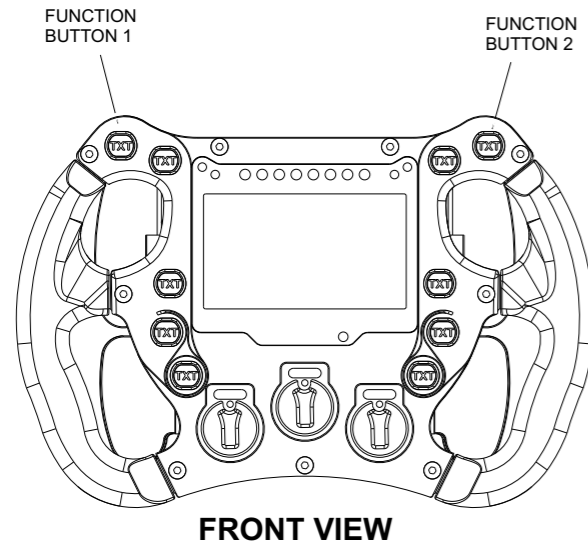
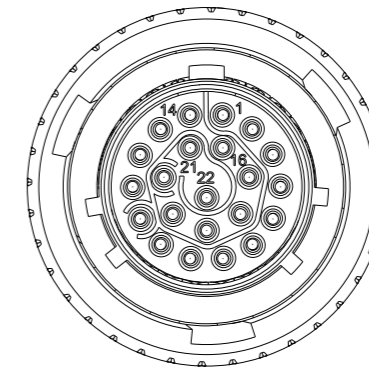


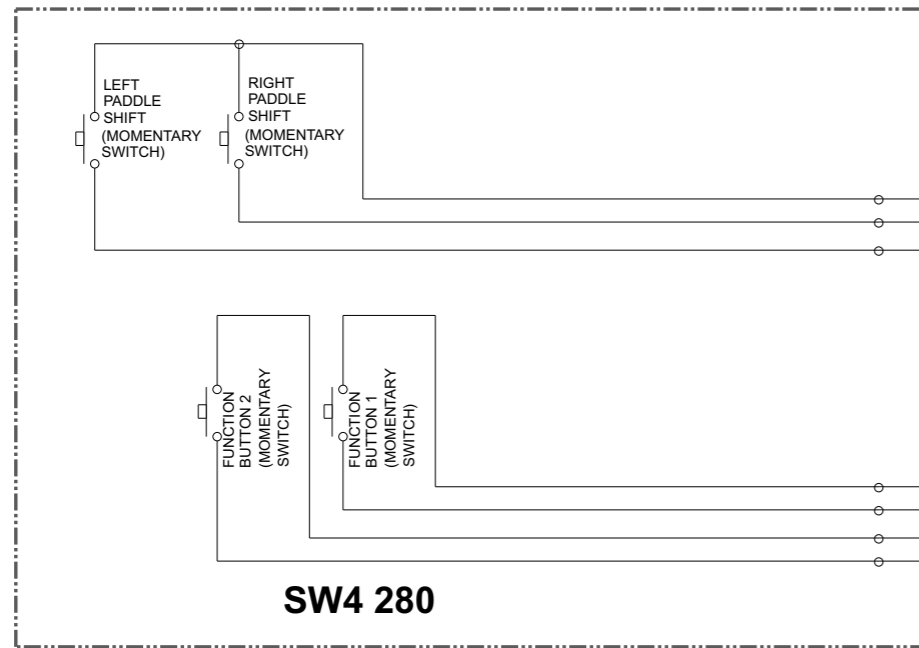
SW4 280 - CONNECTIONS DIAGRAM



22pin male deutsch connector
COD AS-612-35PN
external view

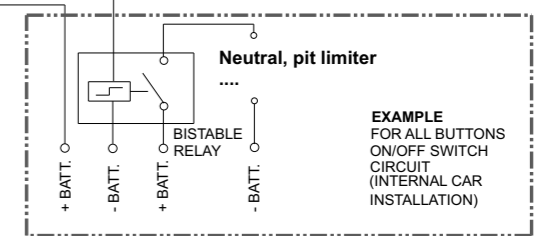


PIN	SIGNAL
1	9-15V Power in
2	CAN ECU+
3	CAN ECU-
4	Paddle sh Left
5	Paddle sh Right
6	Paddle sh COM
7	Function button 2
8	CAN 2+
9	CAN 2-
10	Function button 1
11	USB D+
12	USB D-
13	CAN AIM+
14	GND
15	CAN AIM -
16	RPM
17	NC
18	Function button 2
19	GND
20	Function button 1
21	+Vbext CAN
22	+Vbout CAN



○ PADDLE SHIFT CONTACTS COMMON
○ RIGHT PADDLE SHIFT CONTACT
○ LEFT PADDLE SHIFT CONTACT

○ FUNCTION BUTTON 1
○ FUNCTION BUTTON 1
○ FUNCTION BUTTON 2
○ FUNCTION BUTTON 2



**IMPORTANT:
MAX 300mA
PER WIRE**