

Solo Bar Pad Motocross for handle bars without cross brace

Installation guide

Figure 1/12

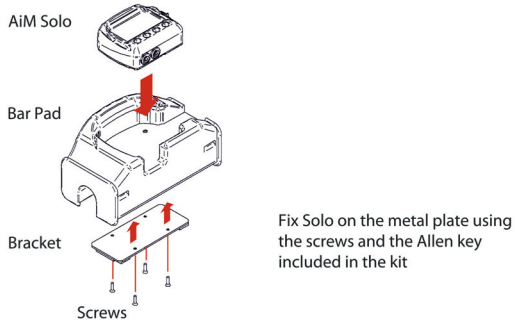


Figure 2/12

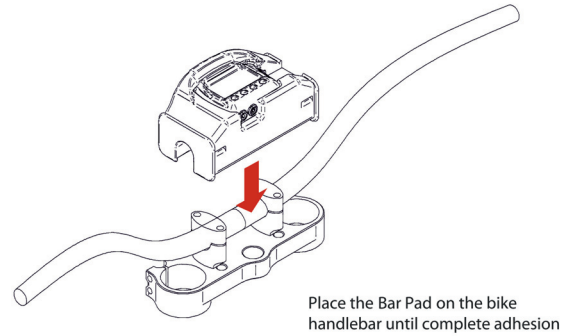


Figure 3/12

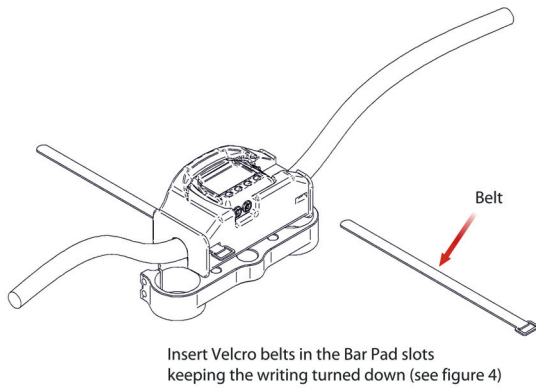


Figure 4/12

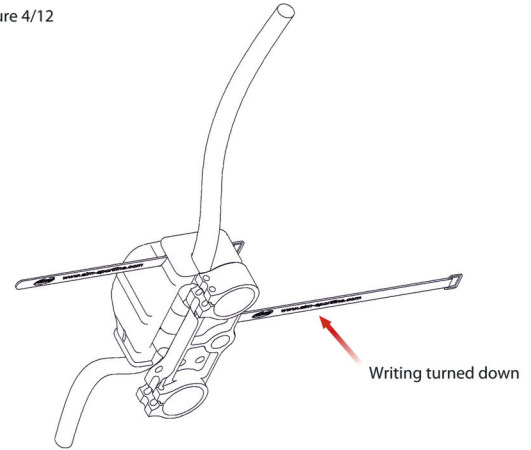


Figure 5/12

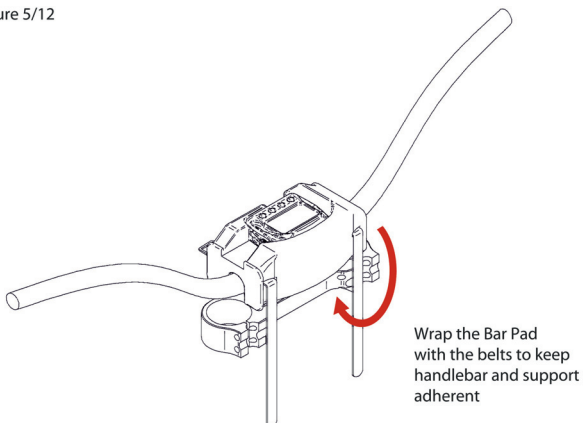
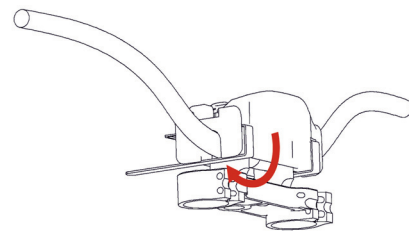


Figure 6/12



Solo Bar Pad Motocross for handle bars without cross brace

Installation guide

Figure 7/12

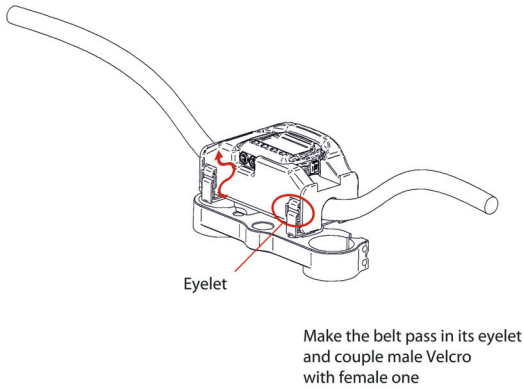


Figure 8/12

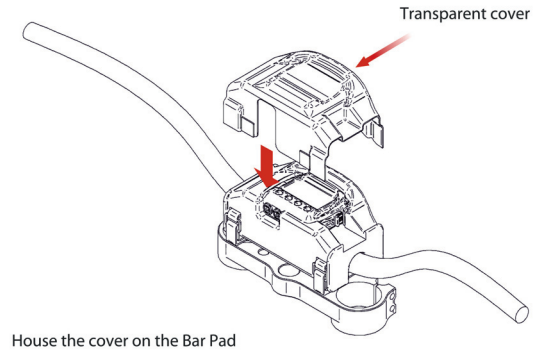


Figure 9/12

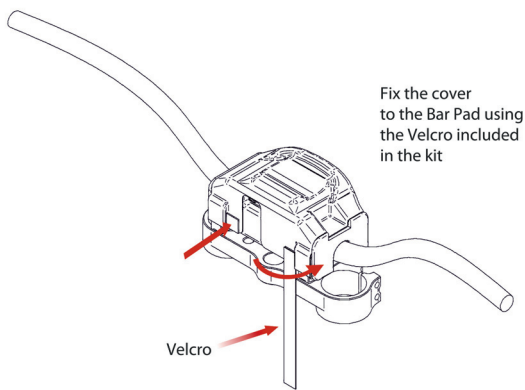


Figure 10/12

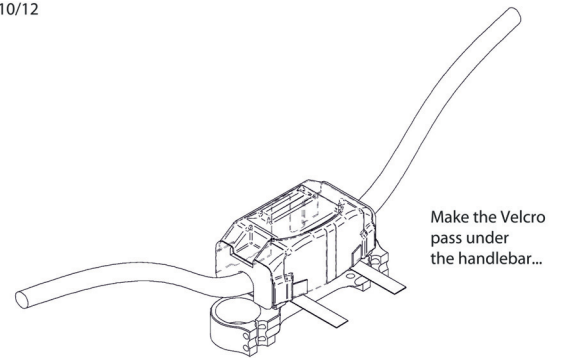


Figure 11/12

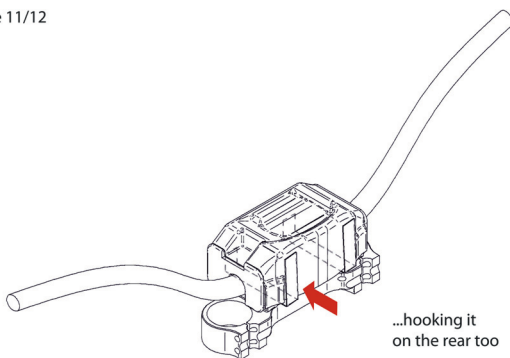


Figure 12/12

