

AiM Infotech

Car water thermo resistor  
1/8 thread

Release 1.07

---



AiM car devices can measure and sample water temperature using a sensor (thermo-resistor). This datasheet explains how to install the 1/8NPT water temperature thermo resistor. All AiM thermo-resistor are PT100 type.

The sensor **part number** is:

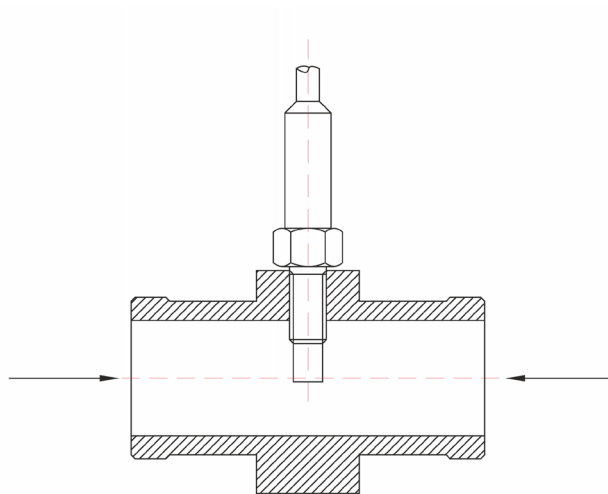
- AiM water thermo resistor                      1/8 NPT thread                      **X05TRNPTA4513BPRS**

**1**

## Installation notes

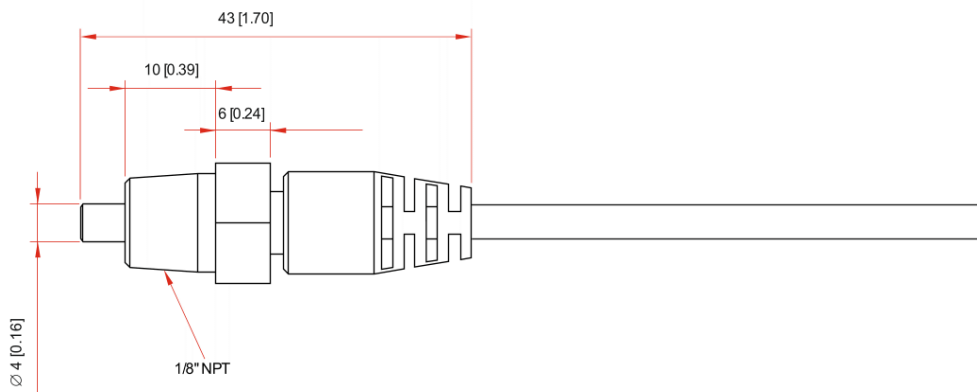
---

The thermo resistor is to be placed in the pipe that goes from the radiator to the cylinder. To install it place the sensor in the rubber pipe . Here below you see the thermo resistor correctly installed.

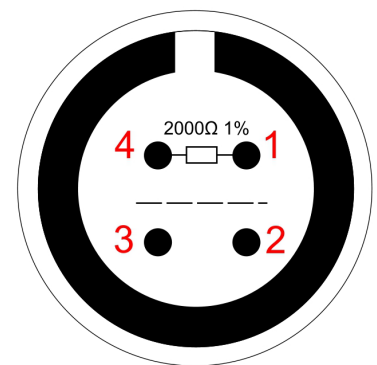
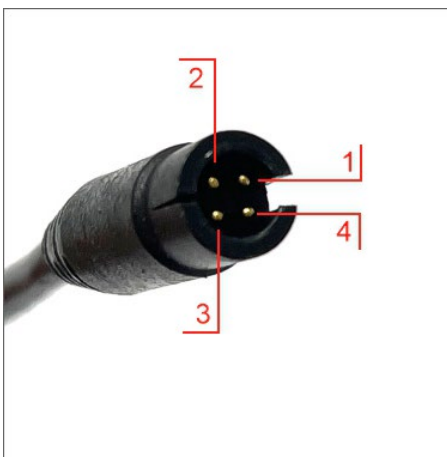


## 2 Dimensions, pinout and technical characteristics

The drawing here below shows the thermo resistor dimensions in mm [inches].



The thermo resistor ends with a 4 pins **Binder 719 male connector that features a 2kΩ 1% resistor between pins 1 and 4**. Here below the connector view – sensor side on the left and device side on the right – are shown; while in the following table is connector pinout



**Binder connector pin**

**Function**

- |   |                    |
|---|--------------------|
| 1 | Temperature signal |
| 2 | GND                |
| 3 | Not connected      |
| 4 | Vref               |

The thermo resistor **electrical characteristics** are:

<b>Electrical characteristics</b>	<b>Value</b>
temperature working range	0-150°C [32-302°F]
cable length	25 cm [9.8" inches]

### 3

## Extension cable

---

The thermo resistor comes with a 25 cm cable. A standard extension cable is available as optional.

Extension cable part number is: **V02PCB15BTR**.

