

AiM InfoTech

Yamaha  
YZ 450F from 2019  
YZ 250F from 2019

Release 1.01

---



KIT



# 1

## Models and years

---

This document explains how to connect the Solo 2 DL to the vehicle Engine Control Unit (ECU) data stream.

Supported models and years are:

YZ 250F  
YZ 450F

from 2019 onwards  
from 2019 onwards

# 2

## Kit content and part number

---

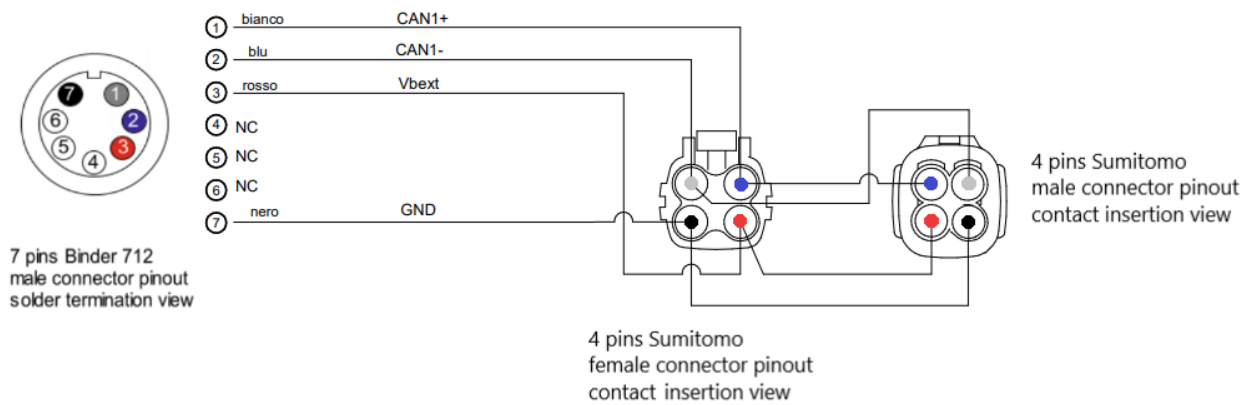
Yamaha YZ 250F and YZ 450F kit for Solo 2DL part number is: **V02589170CS**.

- 1 Bar Pad for bikes without cross brace for Solo 2DL with thermoformed cover, Velcro already mounted and fixing plate (1)
- 4 - 3x12 screws (2)
- 1 cable for Yamaha YZ-F (3)



Yamaha YZ-F cable (3) – part number **V02589170** - and Bar Par for Solo 2DL (1) – part number **X47KPSOLO2T10** – can be bought separately as spare parts.

The draw here below shows constructive scheme of cable **V02589170**.



### 3

## Installation and connection

---

To install Solo 2DL on your Yamaha YZ-F remove the original bar pad and install AiM bar pad. Images here below show the original bar pad on the left and AiM one on the right.



To install the Solo 2DL on Yamaha YZ-F bikes use the Sumitomo female connector placed left on the bike as highlighted in the picture below.



## 4

# Race Studio 3 configuration

---

Before connecting the AiM device to the ECU, set all functions using AiM software Race Studio. The parameters to set in the device configuration are:

- ECU manufacturer: **YAMAHA**
- ECU Model: **YZ-F (RS3 only)**

## 5

# "YAMAHA – YZ-F" protocol

---

Channels received by Solo 2DL configured with "YAMAHA – YZ-F" protocol are:

<b>CHANNEL NAME</b>	<b>FUNCTION</b>
RPM	Engine RPM
TPS	Throttle position sensor
Water Temp	Water temperature
Air Temp	Air temperature
MAP	Manifold air pressure
Battery Voltage	Battery voltage
Tot Run Time	Total running time
FlagError	Flag error
Error	MIL

**Technical note:** not all data channels outlined in the ECU template are validated for each manufacturer's model or variant; some of the outlined channels are model and year specific, and therefore may not be applicable.