

MERCURY 849849 – AXX ECU



INTRODUCTION

AIM has developed special applications for many of the most popular ECU: by special applications we mean user friendly systems which allow to easily connect your ECU to our high tech data loggers: user needs only to install harness between the **logger** and the ECU.

Once connected, the logger displays (and/or records, depending on the logger and on the ECU data stream and configuration) values like RPM, engine load, throttle position (TPS), air and water temperatures, battery voltage, speed, gear, lambda value (air/fuel ratio) analog channels...

All AIM loggers include – free of charge – Race Studio 2 software, a powerful tool to configure the system and analyze recorded data on your PC.

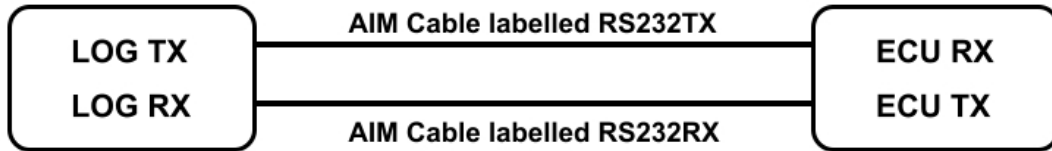
Warning: once the ECU is connected to the logger it is necessary to set it in the logger configuration in Race Studio 2 software.

Select Manufacturer “Mercury” and Model “849849_AXX”

Warning: for any further information concerning ECU firmware/software settings and/or upgrading it is always recommended to address to the ECU dealer.

Chapter 1 – Serial communication setup

Mercury 849849 – AXX ECU is equipped with a serial communication setup used to communicate parameters to an external logger whose standard setup is shown here below.

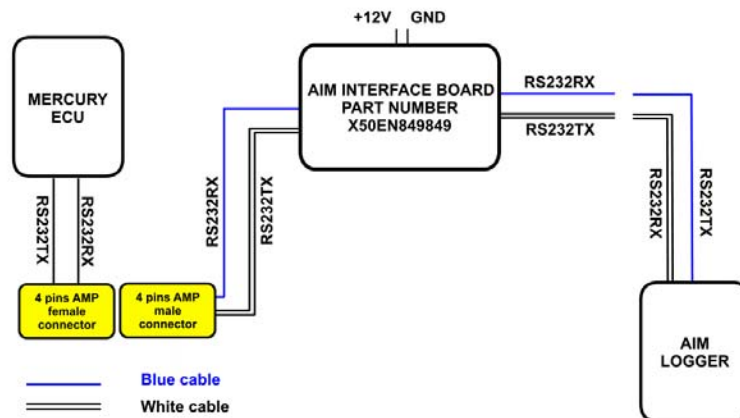


Chapter 2 – Connection to AIM loggers

Mercury 849849 – AXX ECU is equipped with an AMP 4 pins female connector shown here below used to communicate parameters to an external data logger.



To connect the ECU with AIM loggers it is necessary to buy the proper interface board (part number **X031RS010M**). The image here below shows the wiring diagram of connection between Mercury ECU and AIM logger using the interface board.



To connect Mercury 849849 – AXX ECU to AIM logger using the proper interface board:

- connect AIM cable labelled RS232TX to RS232RX blue cable of the interface board
- connect AIM cable labelled RS232RX to RS232TX white cable of the interface board.
- connect 4 pins AMP male connector of the interface board to 4 pins AMP female connector of Mercury ECU.

3 – Communication protocol

Channels received by AIM loggers connected to Mercury 849849 – AXX ECU are:

ID	CHANNEL NAME	FUNCTION
ECU_1	MER_RPM	RPM
ECU_2	MER_TAIR	Intake air temperature
ECU_3	MER_TENG	Engine temperature
ECU_4	MER_MAP	Manifold air pressure
ECU_5	MER_INJT	Injection time
ECU_6	MER_ECU_TRIM	ECU Trim
ECU_7	MER_FUEL_GRP1	Unknown
ECU_8	MER_FUEL_GRP2	Unknown
ECU_9	MER_FUEL_GRP3	Unknown
ECU_10	MER_FUEL_A	Unknown
ECU_11	MER_FUEL_B	Unknown
ECU_12	MER_FUEL_C	Unknown
ECU_13	MER_FUEL_D	Unknown
ECU_14	MER_FUEL_T	Fuel temperature
ECU_15	MER_ECU_TEMP	ECU Temperature
ECU_16	MER_ONTIMECONS	Real time consumption