

1 – Introduction

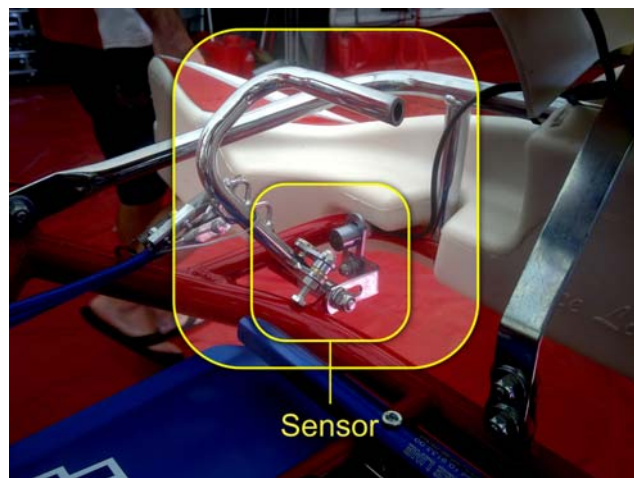


Accelerator/brake pedal position sensor provides an extremely precise indication of the pedal position. The sensor measures the pedal stroke and shows it in percentage with a 0-100% range.

When installed the sensor needs to be calibrated through calibration page of **MyChron4**. Refer to **MyChron4** user manual for further information.

2 – Installation notes

Accelerator/brake pedal position sensor is to be installed on the same pedal as shown here below.



Warning: AIM recommends to install the sensor so that the minimum distance between the magnet and the same sensor is higher than 5 mm but it is reminded that maximum travel cannot be higher than 40mm.

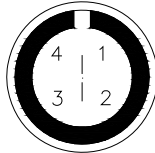
3 – Part number

Accelerator/Brake pedal position sensor:	XSNAF000;
Adapter cable for MyChron Expansion – cable length 150 cm:	V02PCB10BTXG
Adapter cable for eBox Extreme – cable length 100 cm:	V02552960
Installation bracket kit:	DNKTKSSAF00
Sensor + adapter cable for MyChron Expansion + brackets kit:	X05SNAFME0
Sensor + adapter cable for eBox Extreme + brackets kit:	X05SNAFEE0

4 – Pinout and technical characteristics

4.1 – Pinout

4 pins Binder 719 male connector pinout	
Pin	Function
1	Analog Input
2	GND
3	n.c.
4	+Vref



4 pins Binder 719 male connector pinout
front view

4.2 – Technical characteristics

Accelerator/brake pedal position sensor	
General characteristics	Value
Cable length	25 cm
Extension cable length	100 cm