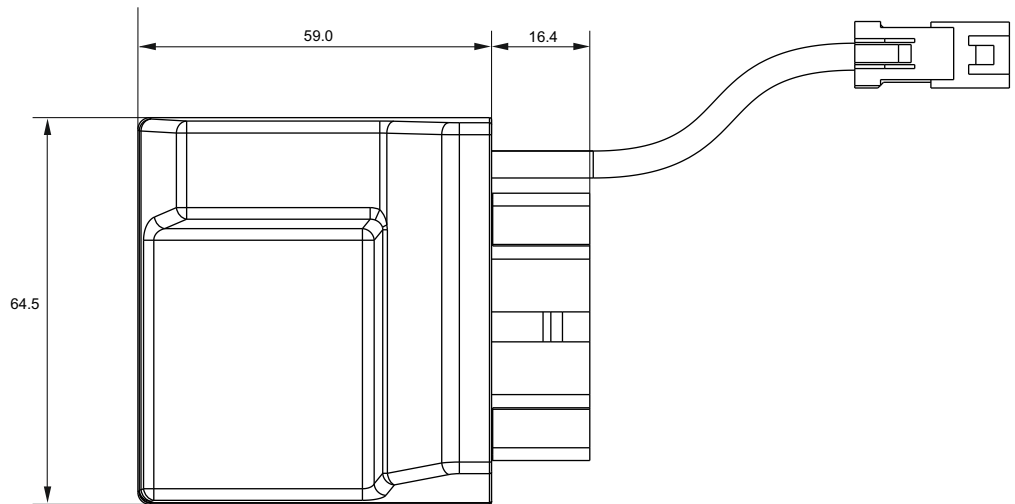
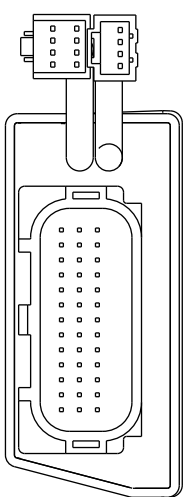
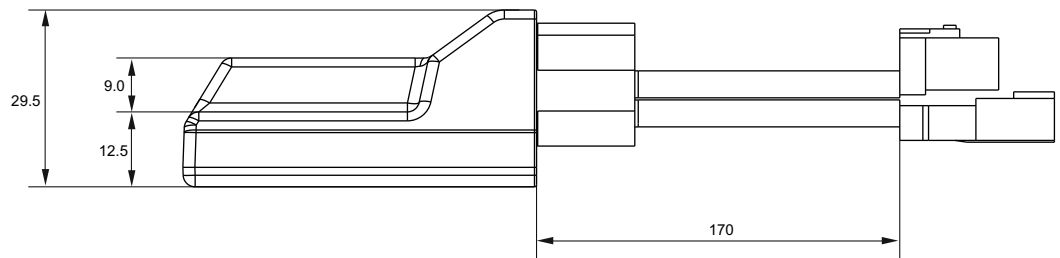




# AiM ECU Taipan Y v2 & accessories

PLUG 'N PLAY ECU FOR MOTOCROSS






# AiM ECU Taipan Y v2 & accessories

## PLUG 'N PLAY ECU FOR MOTOCROSS

### Technical specifications

Plug 'n play ECU for :

AiM ECU Taipan Y v2 Compatible models	Bikes				
	Brand	Type	Race	From Year	To Year
	YAMAHA	YZ 250 F	Cross	2024	
		YZ 450 F	Cross	2023	2024

### Additional characteristics to the stock ECU:

- Two 0-5V analog inputs sampled @ 1,000 Hz each, could be alternatively used as switch to ground
- Second injector driver for high impedance saturated injectors (12Ω)
- One low side driver (1A)
- 1 CAN bus for calibration purposes
- 2 JST JWPF waterproof auxiliary connectors
- Power consumption 150 mA
  
- Connectors: n.1 JST 04T-JWPF-VSLE-S Connector  
n.1 JST 08R-JWPF-VSLE-D Connector  
n.1 39 pin male Connector
- Body: PA6 + 30% glass fiber
- Dimensions: 64.5x59x29.5 mm
- Waterproof: IP67
- Weight: 150 g approx



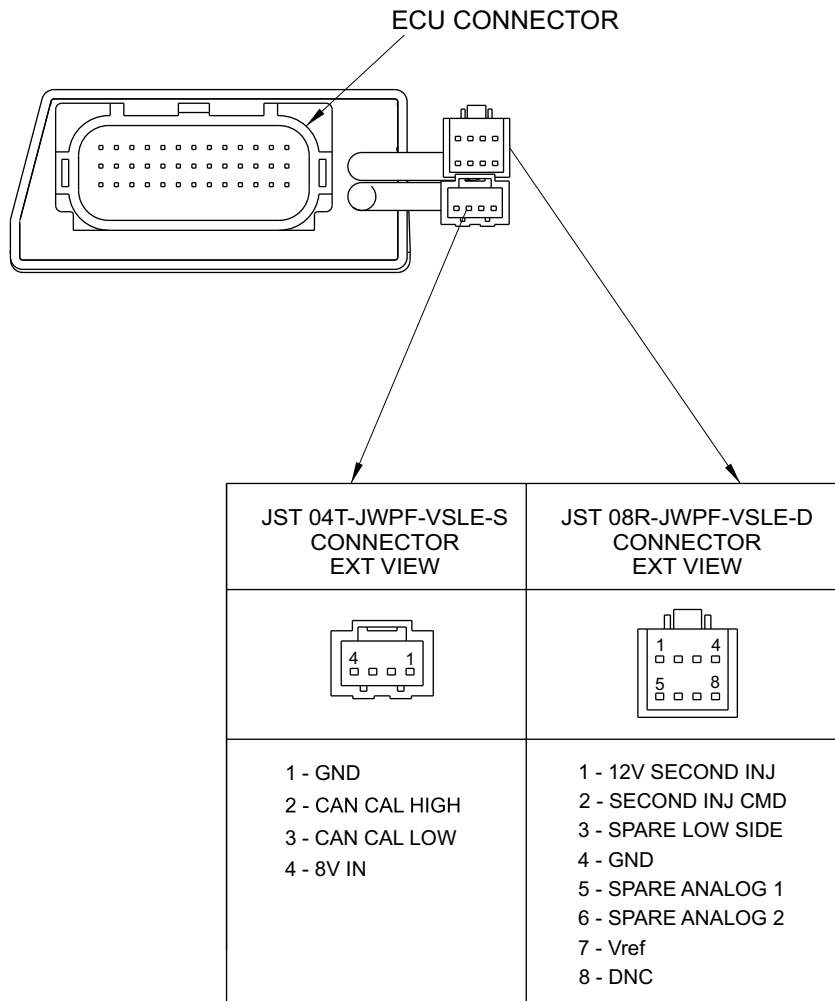
# AiM ECU Taipan Y v2 & accessories

PLUG 'N PLAY ECU FOR MOTOCROSS

## Part numbers (ECU Taipan Y v2 & accessories)

<b>XE1ECUTYV2</b>	ECU Taipan Y v2
<b>V02596140</b>	Dedicated power cable
<b>XE1HBS000</b>	Handle Bar Switch
<b>XE1UCB000</b>	UC Bridge
<b>XE1UCBT00</b>	UC Bridge Tuner

## Pinout

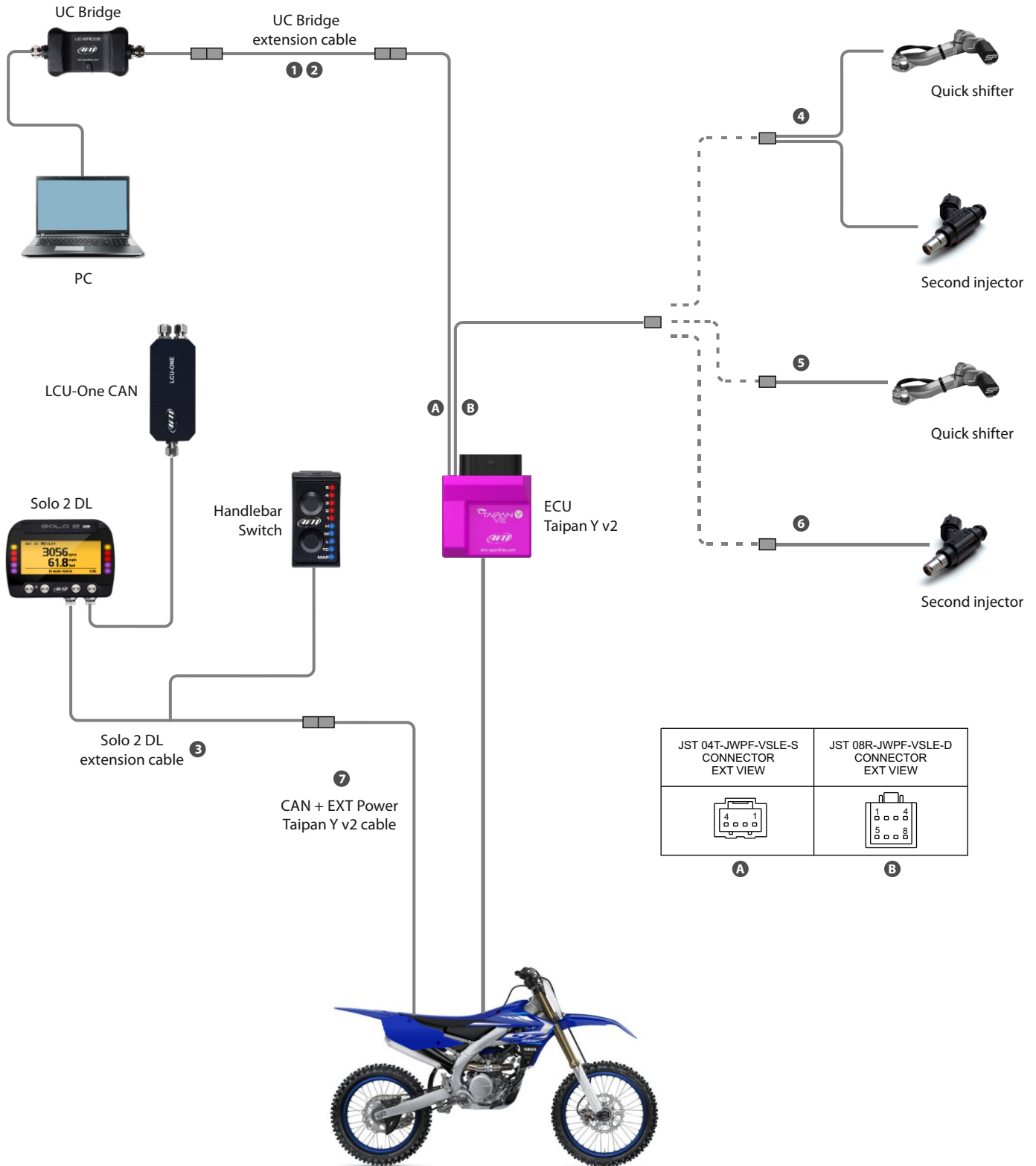




# AiM ECU Taipan Y v2 & accessories

PLUG 'N PLAY ECU FOR MOTOCROSS

## Functional diagram





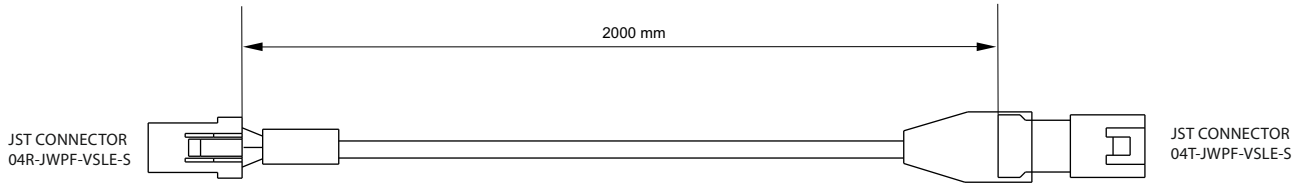
# AiM ECU Taipan Y v2 & accessories

PLUG 'N PLAY ECU FOR MOTOCROSS

## Optional cables

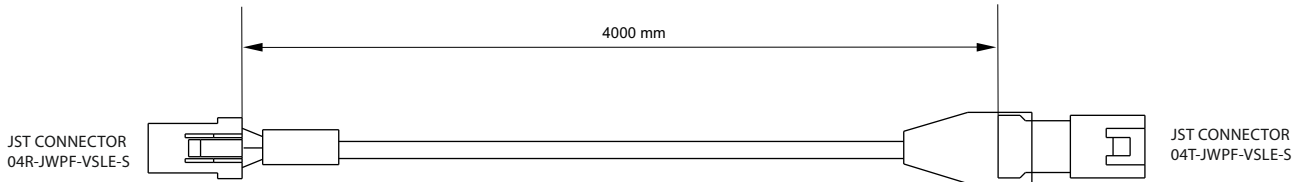
### 1 UC Bridge extension cable 2 m

Part number V02596020



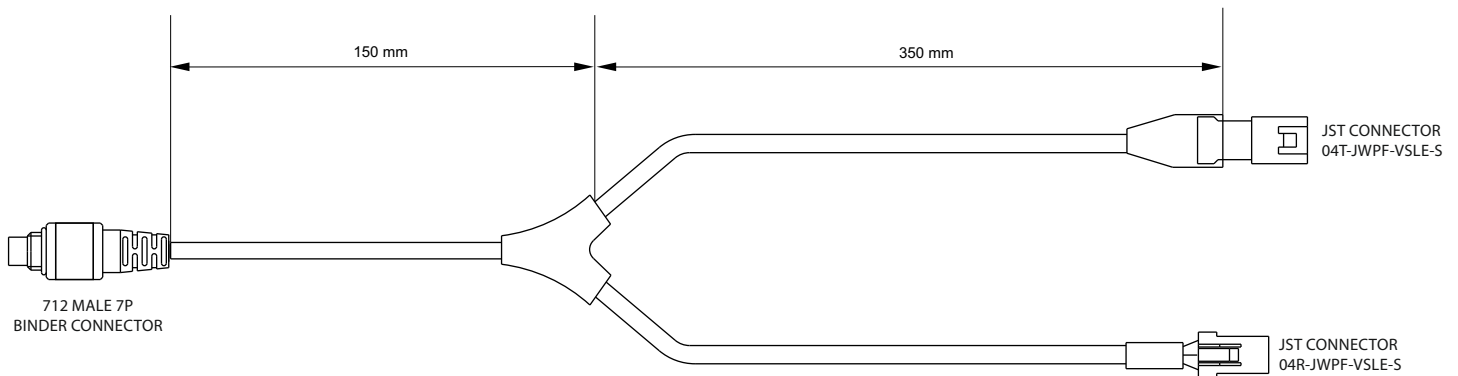
### 2 UC Bridge extension cable 4 m

Part number V02596030



### 3 Solo 2 DL extension cable 50 cm

Part number V02589120





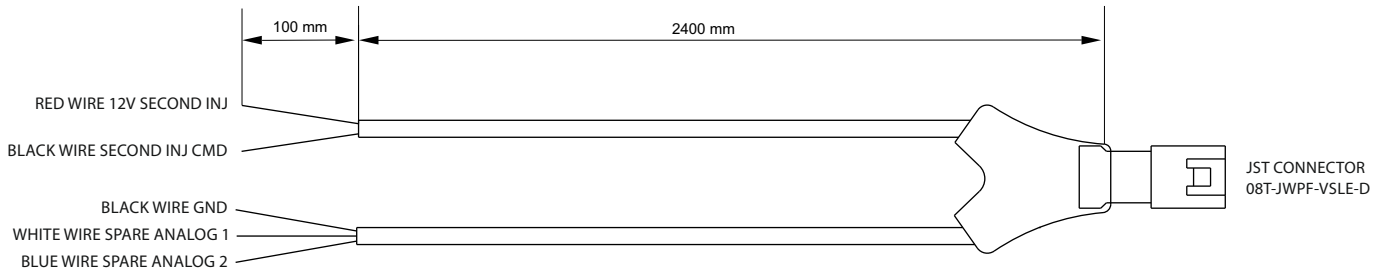
# AiM ECU Taipan Y v2 & accessories

PLUG 'N PLAY ECU FOR MOTOCROSS

## Optional cables

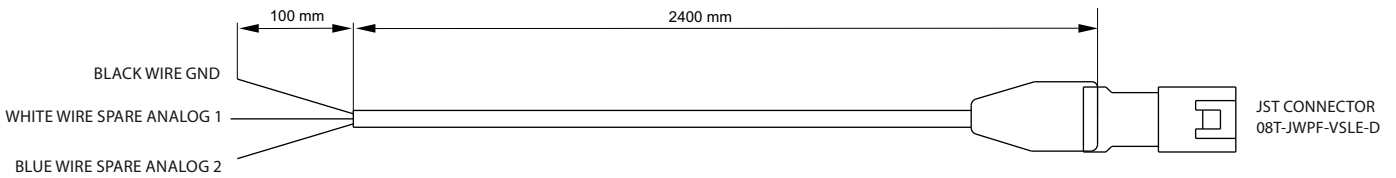
### 4 Analog channels and second injection harness

Part number V02596060



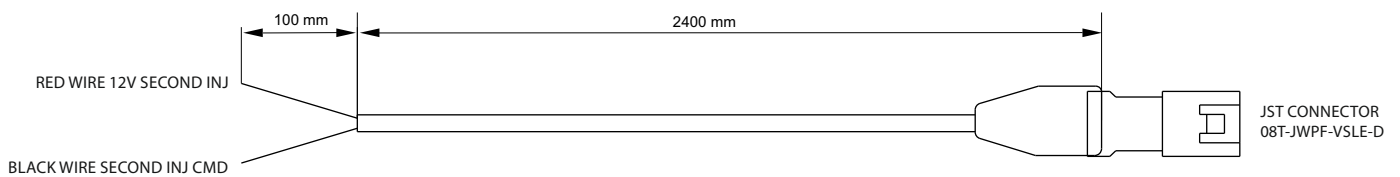
### 5 Analog channels harness

Part number V02596070



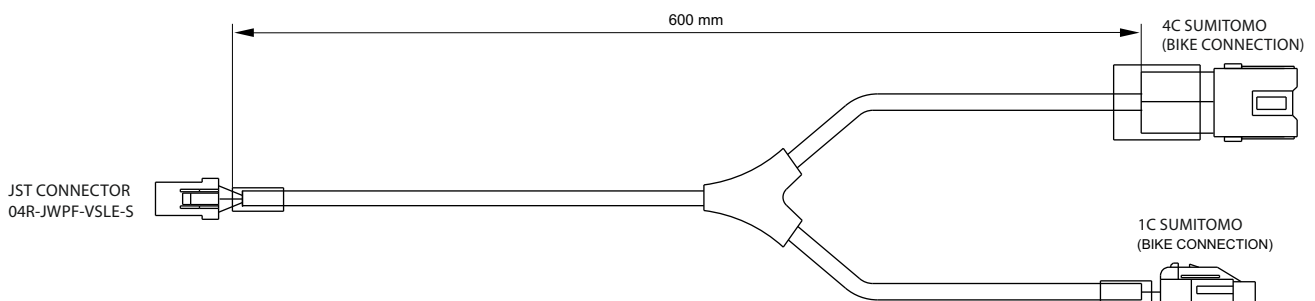
### 6 Second injection harness

Part number V02596080



### 7 CAN + EXT Power Taipan Y v2 cable

Part number V02596140



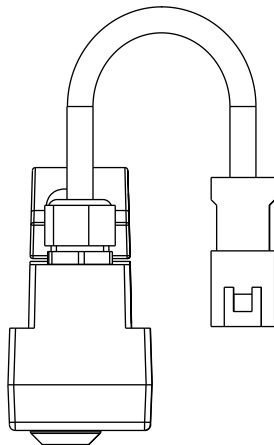
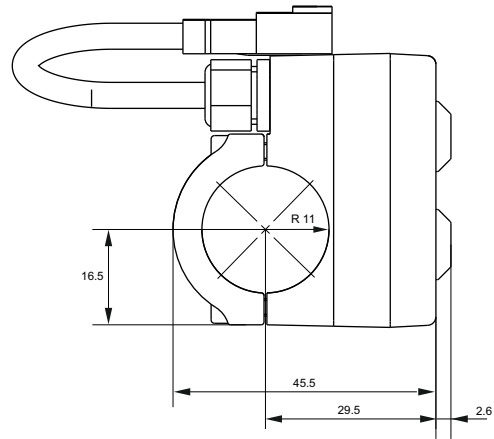
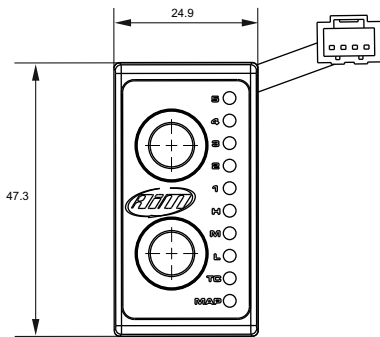


# AiM ECU Taipan Y v2 & accessories

PLUG 'N PLAY ECU FOR MOTOCROSS

## Accessories:

### Handlebar Switch





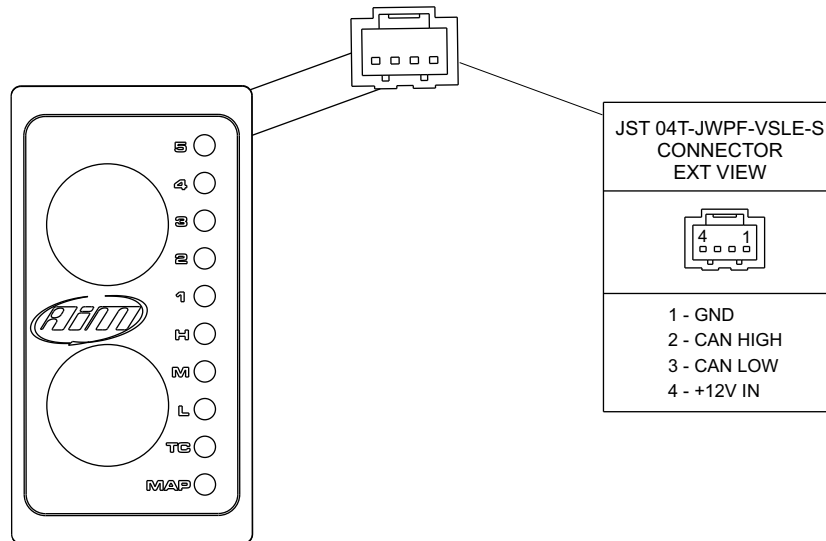
# AiM ECU Taipan Y v2 & accessories

PLUG 'N PLAY ECU FOR MOTOCROSS

## Accessories:

### Handlebar Switch technical specifications and pinout

- JST waterproof connector for CAN Bus communication
- Connector: n.1 JST 04T-JWPF-VSLE-S Connector
- Body: PA6 + 30% glass fiber
- Dimensions: 47.3x24.9x48.1 mm
- Waterproof: IP67
- Weight: 70 g







# AiM ECU Taipan Y v2 & accessories

PLUG 'N PLAY ECU FOR MOTOCROSS

## Accessories:

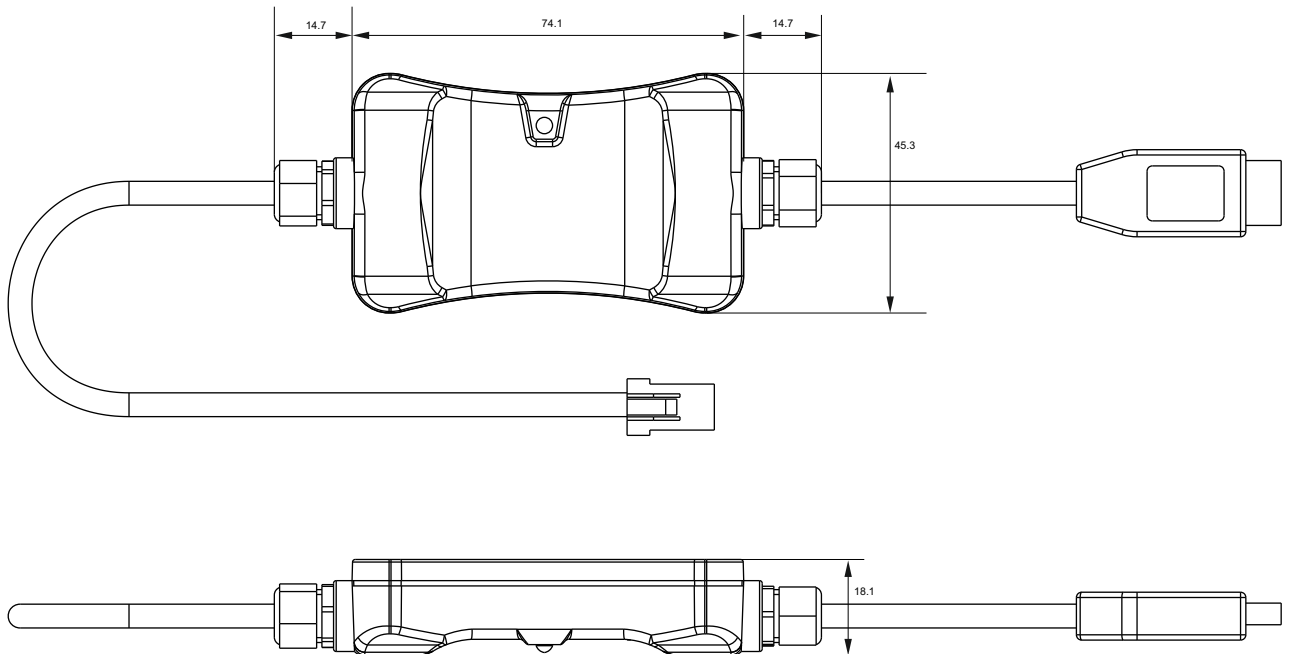
### UC Bridge



User license



Tuner license





# AiM ECU Taipan Y v2 & accessories

PLUG 'N PLAY ECU FOR MOTOCROSS

## Accessories:

### UC Bridge technical specifications and pinout

- Connectors: n.1 USB connection for PC  
n.1 JST 04R-JWPF-VSLE-S waterproof Connector for CAN Bus communication
- Body: PA6 + 30% glass fiber
- Dimensions: 103.5x45.3x18.1 mm
- Waterproof: IP65
- Weight: 80 g

