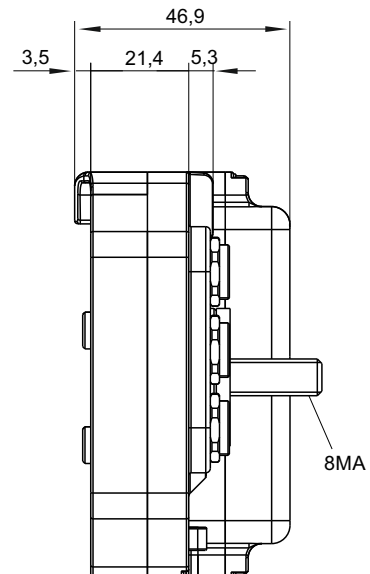
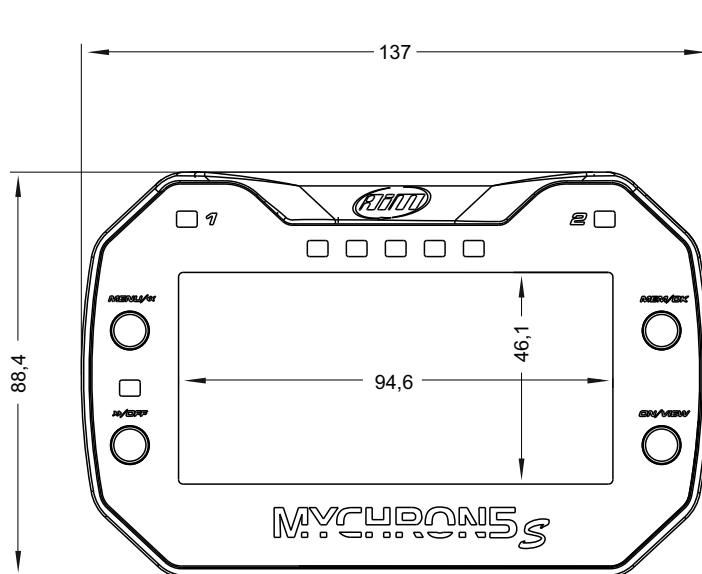
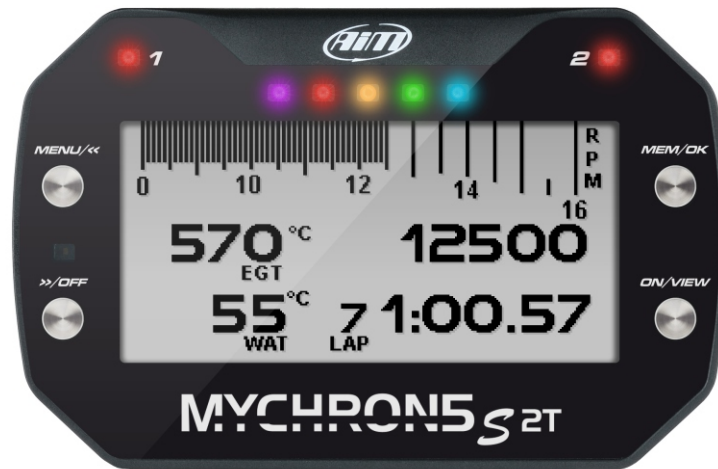


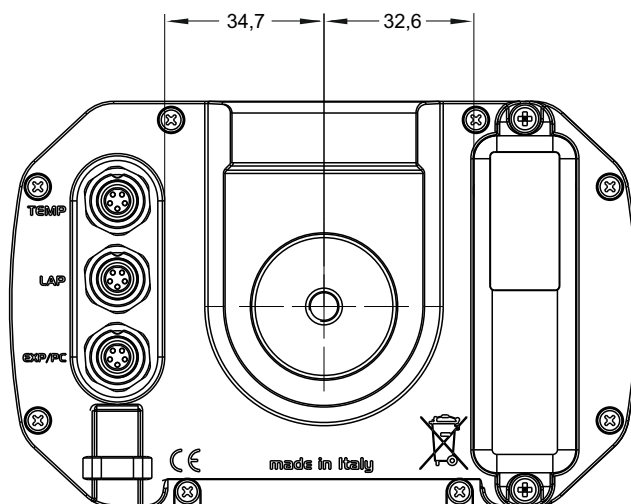


# AiM MyChron5S/S 2T

Dash logger



DIMENSIONS IN mm





# AiM MyChron5S/S 2T

## Dash logger

### Technical specifications

	<b>MyChron5S</b>	<b>MyChron5S 2T</b>
<b>Display</b>	Graphical	Graphical
<b>Display resolution</b>	268x128 pixels	268x128 pixels
<b>Backlight</b>	8 configurable RGB colors	8 configurable RGB colors
<b>Shift lights/alarm LEDs</b>	5 + 2 configurable RGB LEDs	5 + 2 configurable RGB LEDs
<b>Integrated track database</b>	Yes	Yes
<b>Wi-Fi connection</b>	Yes	Yes
<b>GPS</b>	25 Hz	25 Hz
<b>External power</b>	9÷15 V	9÷15 V
<b>Connectors</b>	1 socket (binder) 712, 5-pins 1 socket (binder) 712, 4-pins 1 socket (binder) 712, 3-pins	1 socket (binder) 712, 5-pins 1 socket (binder) 712, 7-pins 1 socket (binder) 712, 4-pins
<b>Temperature inputs</b>	1	2
<b>Digital inputs</b>	Lap signal	Lap signal
<b>External modules</b>	MyChron Expansion IR Temperature Controller SmartyCam 3	MyChron Expansion IR Temperature Controller SmartyCam 3
<b>Memory</b>	4 GB	4 GB
<b>Battery type</b>	Rechargeable Lithium	Rechargeable Lithium
<b>Body</b>	Glass fiber reinforced Nylon	Glass fiber reinforced Nylon
<b>Pushbuttons</b>	Metallic	Metallic
<b>Dimensions</b>	137.0 x 88.4 x 46.9 mm	137.0 x 88.4 x 46.9 mm
<b>Weight</b>	390 g	390 g
<b>Waterproof</b>	IP67	IP67



# AiM MyChron5S/S 2T

## Dash logger

### In the box

MyChron5S, battery charger with cable, RPM cable, temperature sensor.  
Optic/magnetic receiver optional.

### Available kits

<b>XD1M5SCHT140A</b>	MyChron5S with CHT sensor - cm 140 cable - Australian Version
<b>XD1M5SCHT140E</b>	MyChron5S with CHT sensor - cm 140 cable - European Version
<b>XD1M5SCHT140G</b>	MyChron5S with CHT sensor - cm 140 cable - UK Version
<b>XD1M5SCHT140U</b>	MyChron5S with CHT sensor - cm 140 cable - US Version
<b>XD1M5SCHT40SA</b>	MyChron5S with CHT sensor - cm 40 cable - Australian Version
<b>XD1M5SCHT40SE</b>	MyChron5S with CHT sensor - cm 40 cable - European Version
<b>XD1M5SCHT40SG</b>	MyChron5S with CHT sensor - cm 40 cable - UK Version
<b>XD1M5SCHT40SU</b>	MyChron5S with CHT sensor - cm 40 cable - US Version
<b>XD1M5SEGTA</b>	MyChron5S with EGT sensor - Australian Version
<b>XD1M5SEGTE</b>	MyChron5S with EGT sensor - European Version
<b>XD1M5SEG TG</b>	MyChron5S with EGT sensor - UK Version
<b>XD1M5SEG TU</b>	MyChron5S with EGT sensor - US Version
<b>XD1M5ST12A</b>	MyChron5S with EGT-T12 sensor - Australian Version
<b>XD1M5ST12E</b>	MyChron5S with EGT-T12 sensor - European Version
<b>XD1M5ST12G</b>	MyChron5S with EGT-T12 sensor - UK Version
<b>XD1M5ST12U</b>	MyChron5S with EGT-T12 sensor - US Version
<b>XD1M5STRM10A</b>	MyChron5S with M10 water temp sensor - Australian Version
<b>XD1M5STRM10E</b>	MyChron5S with M10 water temp sensor - European Version
<b>XD1M5STRM10G</b>	MyChron5S with M10 water temp sensor - UK Version
<b>XD1M5STRM10U</b>	MyChron5S with M10 water temp sensor - US Version



# AiM MyChron5S/S 2T

## Dash logger

### Optionals

<b>X41RX12090</b>	Infrared optical lap time receiver - Metallic connector - cm 90 cable
<b>X41RX12140</b>	Infrared optical lap time receiver - Metallic connector - cm 140 cable
<b>X02RXMGC3SMP</b>	Magnetic lap time receiver
<b>V02557020</b>	External power cable
<b>X80MYC5TPB</b>	Kit battery cover

### Spare parts

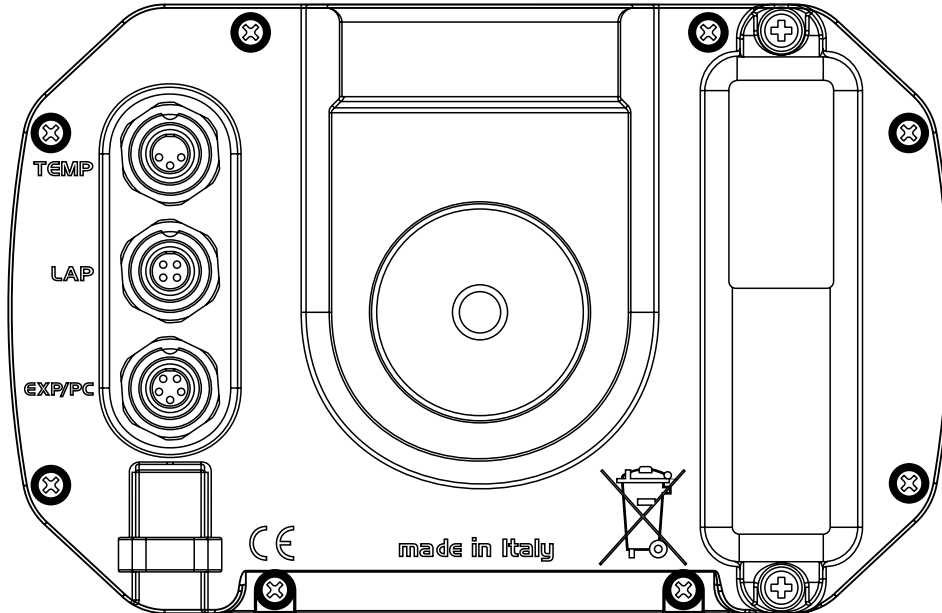
<b>2BT18650TDM</b>	Battery
<b>XSMCABATM5</b>	Battery charger
<b>X06AHB068</b>	USB/AC power adapter EU
<b>X06AHB070</b>	USB/AC power adapter USA
<b>X06AHB077</b>	USB/AC power adapter UK
<b>X06AHB071</b>	USB/AC power adapter AUS
<b>X90TMPC000</b>	USB cable
<b>X80M5KCBUSB1E</b>	Battery charger kit EU*
<b>X80M5KCBUSB1U</b>	Battery charger kit USA*
<b>X80M5KCBUSB1G</b>	Battery charger kit UK*
<b>X80M5KCBUSB1A</b>	Battery charger kit AUS*
<b>X05SNRPMY0</b>	RPM cable

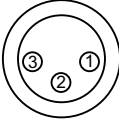
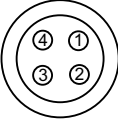
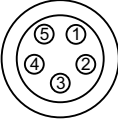


# AiM MyChron5S/S 2T

Dash logger

## Pinout MyChron5S



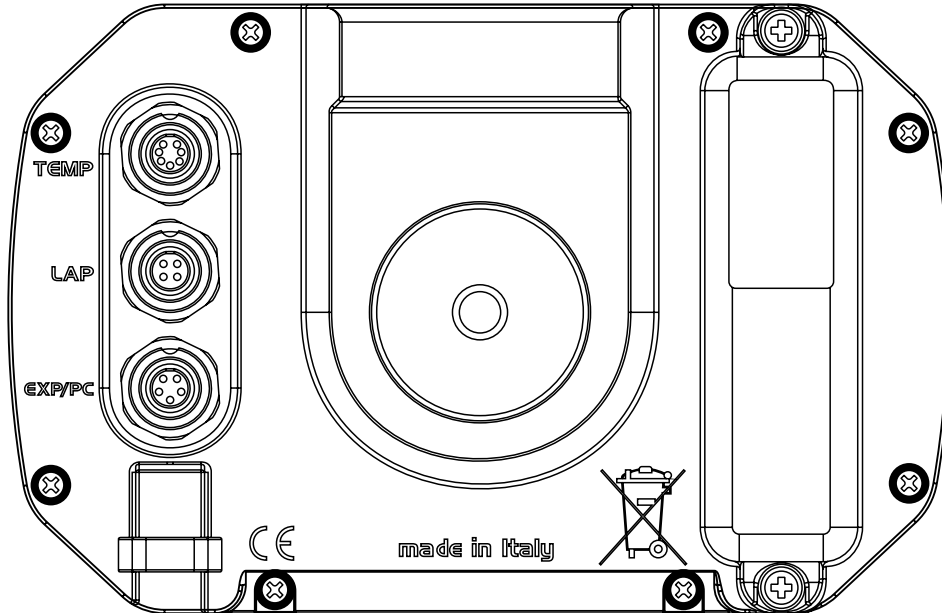
TEMP	LAP	EXP/PC
3 pins Binder 712 female connector (external view)	4 pins Binder 712 female connector (external view)	5 pins Binder 712 female connector (external view)
		
1 - Thermocouple 2 - GND 3 - Thermo resistor	1 - Magnetic Lap 2 - GND 3 - +Vbattery 4 - Optical Lap	1 - CAN+ Exp 2 - GND 3 - +Vbout CAN 4 - CAN- Exp 5 - +Vbext CAN

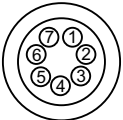
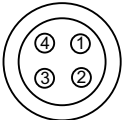
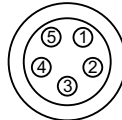


# AiM MyChron5S/S 2T

Dash logger

## Pinout MyChron5S 2T



<b>TEMP</b> 7 pins Binder 712 female connector (external view)	<b>LAP</b> 4 pins Binder 712 female connector (external view)	<b>EXP/PC</b> 5 pins Binder 712 female connector (external view)
 <ul style="list-style-type: none"> <li>1 - Thermocouple 1</li> <li>2 - GND</li> <li>3 - Thermocouple 2</li> <li>4 - GND</li> <li>5 - Thermo resistor 1</li> <li>6 - GND</li> <li>7 - Thermo resistor 2</li> </ul>	 <ul style="list-style-type: none"> <li>1 - Magnetic Lap</li> <li>2 - GND</li> <li>3 - +Vbattery</li> <li>4 - Optical Lap</li> </ul>	 <ul style="list-style-type: none"> <li>1 - CAN+ Exp</li> <li>2 - GND</li> <li>3 - +Vbout CAN</li> <li>4 - CAN- Exp</li> <li>5 - +Vbext CAN</li> </ul>