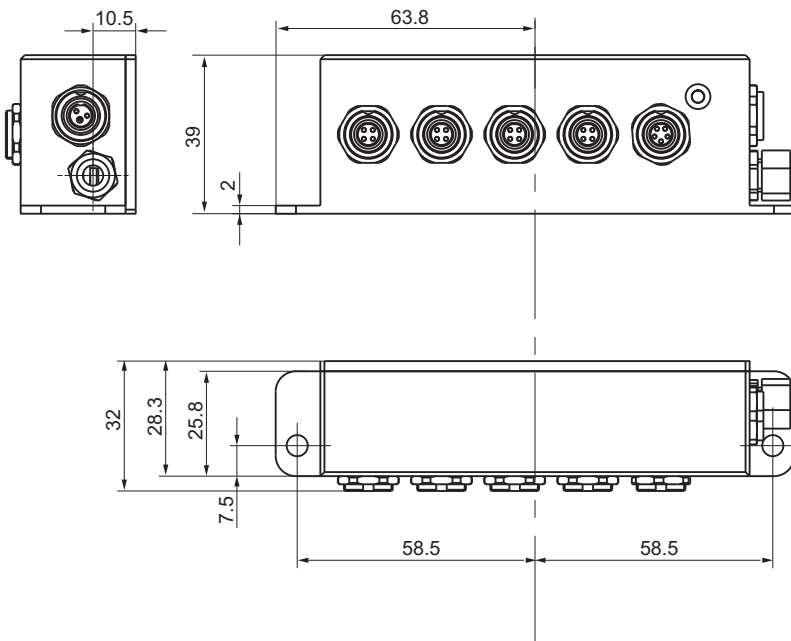


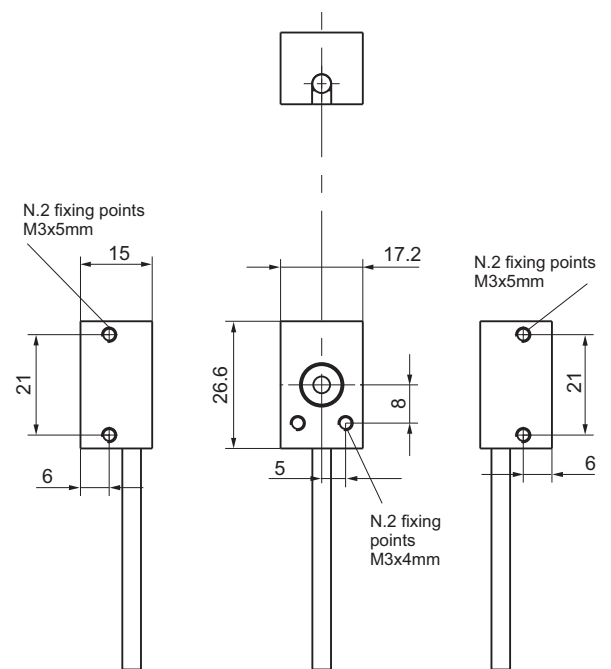
AiM Tire temperature sensors kit



IR temperature controller:



Sensor:



AiM Tire temperature sensors kit

In the box

IR temperature controller, four tire temperature sensors, power cable, two 4 pin 712+719 patch cables 1 m length, two 4 pin 712+719 patch cables 2 m length.

Part number

X08TTK014120 Tire temperature sensors kit

Spare parts

XSMIRTEMP00 IR temperature controller

X05TTS01B0 Tire temperature sensor

V02PCB10BTXG 4 pin 712+719 patch cable, 1 m length

V02PCB20BTXG 4 pin 712+719 patch cable, 2 m length

V02551200 Power cable

Accessories

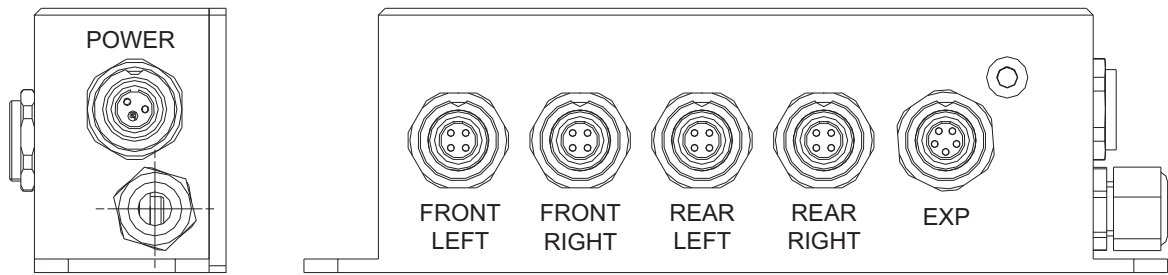
X90KSTTS0 Installation brackets kit

Technical specifications

- Connection to MyChron5 via IR Temperature Controller
- Output signal 0-5V
- Field of View 35°
- Temperature range -20°/120°C
- IR temperature controller dimensions: 127.6 x 32 x 39 mm
- Sensor dimensions: 26.6 x 17.2 mm
- Sensor cable length: 250 mm
- IR temperature controller cable length: 400 mm

AiM Tire temperature sensors kit

Pinout



2 PINS binder 712
female connector
(external view)



4 PINS binder 712
female connector
(external view)



5 PINS binder 712
female connector
(external view)



POWER		FRONT LEFT		FRONT RIGHT	
1	+Vbext	1	ANALOG INPUT 1	1	ANALOG INPUT 2
2	GND	2	GND	2	GND
		3	+Vb	3	+Vb
		4	+Vref	4	+Vref

REAR LEFT		REAR RIGHT		EXP	
1	ANALOG INPUT 3	1	ANALOG INPUT 4	1	CAN+
2	GND	2	GND	2	GND
3	+Vb	3	+Vb	3	+Vb
4	+Vref	4	+Vref	4	CAN-
				5	+VBext



AiM Tech Srl - Via Cavalcanti, 8 20063 Cernusco sul Naviglio, Milan - Italy

Tel. +39.02.9290571 | Fax +39.02.92118024

info@aim-sportline.com | www.aim-sportline.com