



AiM EVO5

Logger

Technical specifications

ECU connection	CAN, RS232 or K-Line to 2,000+ industry leading ECUs
External modules	GPS09c, Channel Expansion, TC Hub, Lambda Controller, SmartyCam 3
Analog inputs	8 fully configurable: 0-5V, 0-12V, K thermocouples. Max freq 1 KHz each
Digital inputs	Coil RPM and 4 speed inputs
Inertial platform	Internal 3 axis $\pm 5G$ accelerometer + 3 axis gyro
Digital outputs	2, up to 1 Amp each
Second CAN	Yes
WiFi connection	Yes
Internal memory	4 GB
SD card	Internal: up to 128 Gb
Connectors	2 Motorsport connectors
Body	Anodized Aluminum
LEDs	1 system status
Dimensions	114.4 x 47.2 x 58.8 mm
Weight	300 g
Waterproof	IP65

In the box

EVO5, 37 pin harness, USB cable, GPS09c, mounting bracket.
User manual & Race Studio 3 software freely downloadable from AiM web site.

X62EVO5130	EVO5 with GPS09c with 1.30 m cable length
X62EVO5400	EVO5 with GPS09c with 4 m cable length
X62EVO520R	EVO5 with GPS09c Roof version 2 m cable length
X62EVO540R	EVO5 with GPS09c Roof version 4 m cable length

Accessories

V02586030	22 pin harness
5CN822F00	22 pins connector
5CN837F00	37 pins connector

Spare parts

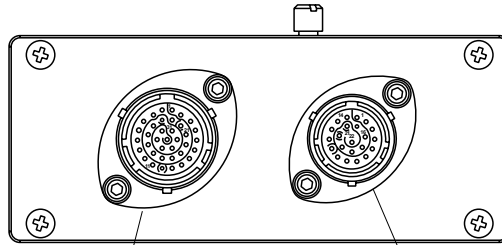
V02573200	USB cable
V02586020	37 pin harness



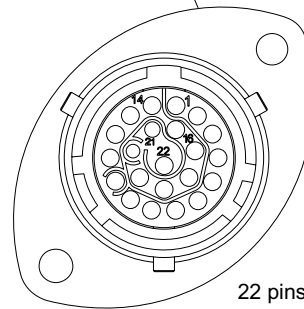
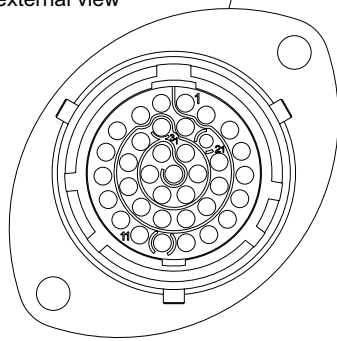
AiM EVO5

Logger

Pinout



37 pins Deutsch male connector pinout external view



22 pins Deutsch male connector pinout external view

Pin	Function
1	9-15V Power input
2	Battery GND
3	CAN+Exp
4	GND
5	+Vbattery CAN
6	CAN- Exp.
7	+Vbext
8	CAN1+ ECU
9	CAN 1- ECU
10	GND
11	K Line ECU
12	USB D+
13	USB D-
14	GND
15	RPM
16	GND
17	+VBattery
18	Optical Lap
19	Speed1
20	GND
21	+Vbattery
22	Analog Input 1
23	Analog GND
24	+Vbattery
25	+Vreference
26	Analog Input2
27	Analog GND
28	+Vbattery
29	+Vreference
30	Analog Input3
31	Analog GND
32	+Vbattery
33	+Vreference
34	Analog Input4
35	Analog GND
36	+Vbattery
37	+Vreference

Pin	Function
1	Analog Input 5
2	Analog GND
3	+Vbattery
4	+Vreference
5	Analog Input 6
6	Analog Input 7
7	Analog GND
8	+Vbattery
9	+Vreference
10	Analog Input 8
11	Speed 2
12	GND
13	+Vbattery
14	Speed 3
15	Speed 4
16	GND
17	CAN2+ ECU
18	CAN2- ECU
19	Digital output 1
20	Digital output 2
21	RS232TX
22	RS232RX